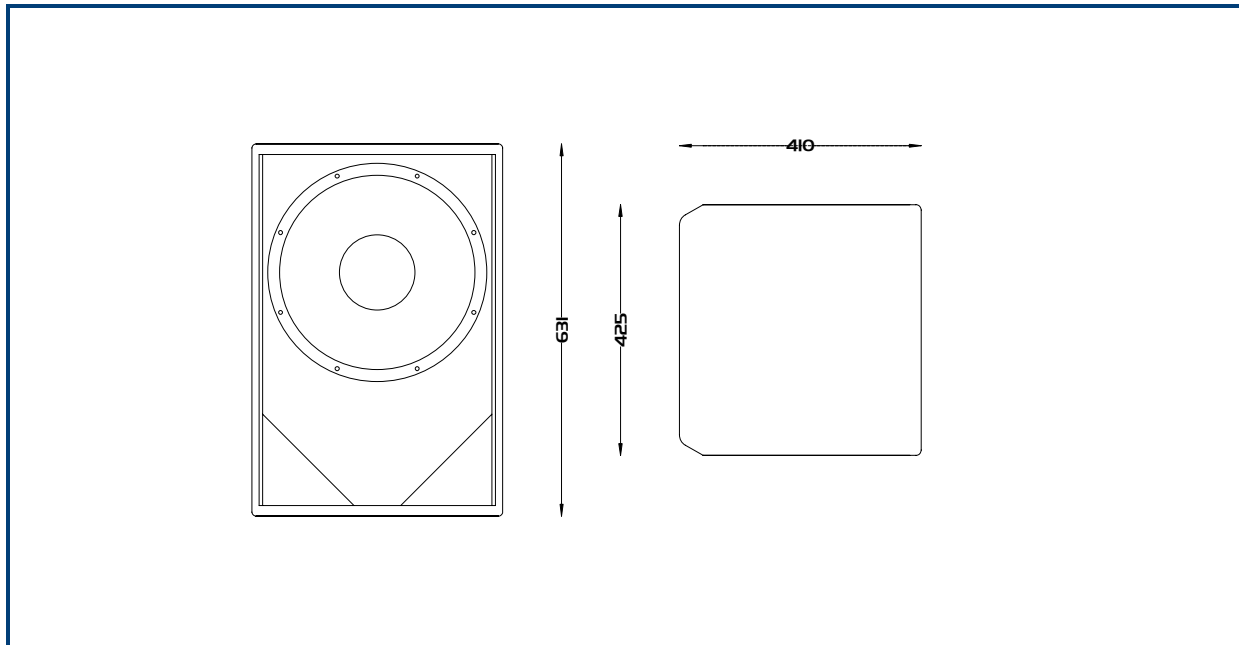




The Logic Systems B150i is a compact, high power, bass enclosure which features a direct radiating 15” bass driver. The B150i is installation specific. Corner porting also ensures uniformity of performance when mounted in either the landscape or portrait modes. The Logic Systems DP2140 system controller contains presets for the combination of the B150i with other Logic Systems product.



Frequency Response:	<ul style="list-style-type: none"> • 45Hz – 150Hz
Components:	<ul style="list-style-type: none"> • Bass: 1 x 15” cone driver • HF: N/A
Power handling:	<ul style="list-style-type: none"> • 500W
Sensitivity (1):	<ul style="list-style-type: none"> • 99dB
Directivity:	<ul style="list-style-type: none"> • Omni-directional
Impedance:	<ul style="list-style-type: none"> • 4 Ohm (8 Ohm optional)
Construction:	<ul style="list-style-type: none"> • 18mm Birch plywood
Finish:	<ul style="list-style-type: none"> • Water based textured black paint
Connections:	<ul style="list-style-type: none"> • 2 x Neutrik NL4 MPR • 1+/-: Input 2+/-: Linked
Dimensions:	<ul style="list-style-type: none"> • 425mm (W) x 631mm (H) x 410mm (D)
Packaged Dimensions:	<ul style="list-style-type: none"> • 580mm (W) x 790mm (H) x 530mm(D)
Weight:	<ul style="list-style-type: none"> • 25Kg

Cabinet	Handles	Tophat	M2o plate	Castors	Bracket Pt.	Inserts/Fly Points
B150i	No	No	No	No	No	No

Note: (1) Sensitivity measured at 1 metre with 2.83V, using band limited pink noise.