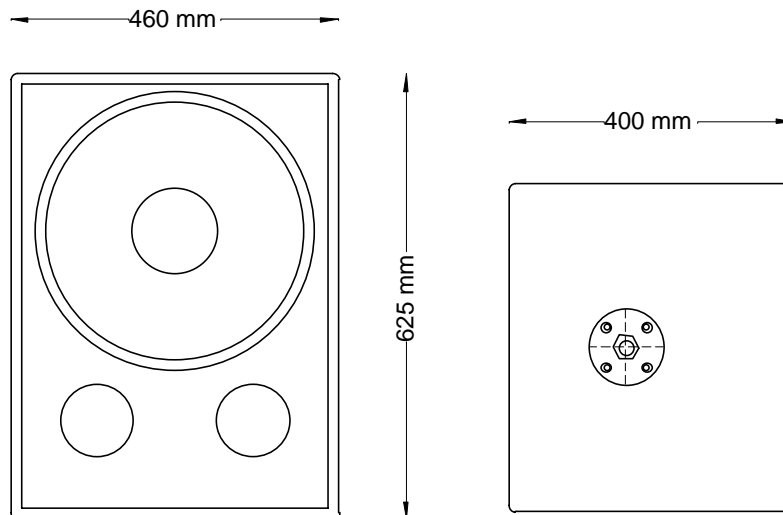


LS 115 – Technical Specifications (rev2 01/05/01)

Description:	<ul style="list-style-type: none"> • A high power, compact, bass enclosure. • Available as passive, with a 150Hz low pass filter, or as active only.
Frequency Response:	<ul style="list-style-type: none"> • 45Hz – 250Hz
Components:	<ul style="list-style-type: none"> • Bass: 1 x 15" cone driver
Power handling:	<ul style="list-style-type: none"> • 600w
Sensitivity (1):	<ul style="list-style-type: none"> • 99dB
Directivity:	<ul style="list-style-type: none"> • Omni-directional
Construction:	<ul style="list-style-type: none"> • 18mm Birch plywood
Finish:	<ul style="list-style-type: none"> • Water based textured black paint (M-Spec and T-Spec) • Royal Blue carpet (R-Spec)
Connections:	<ul style="list-style-type: none"> • 2 x Neutrik NL4 connectors • Passive: 1+/1- Input 2+/2- No connection • Active: 1+/1- Input 2+/2- No connection
Dimensions:	<ul style="list-style-type: none"> • 460mm (W) x 625mm (H) x 400mm (D)
Packaged Dimensions:	<ul style="list-style-type: none"> • 475mm (W) x 650mm (H) x 415mm(D)
Impedance:	<ul style="list-style-type: none"> • 4 ohms nominal
Weight:	<ul style="list-style-type: none"> • 25 Kg
Note: (1) Sensitivity measured at 1 metre with 2.83V, using band limited pink noise.	



LS 115 Options

Cabinet	Code	Spec.	Handles	Tophat	M20 plate	M20 Blank	Castors	Bracket	Inserts/Fly Points
LS 115A	LS 2044	R-Spec	2 off	No	Yes	No	No	No	No
	LS 6044	T-Spec	2 off	No	Yes	No	No	No	No
LS 115P	LS 2043	R-Spec	2 off	No	Yes	No	No	No	No
	LS 6043	T-Spec	2 off	No	Yes	No	No	No	No