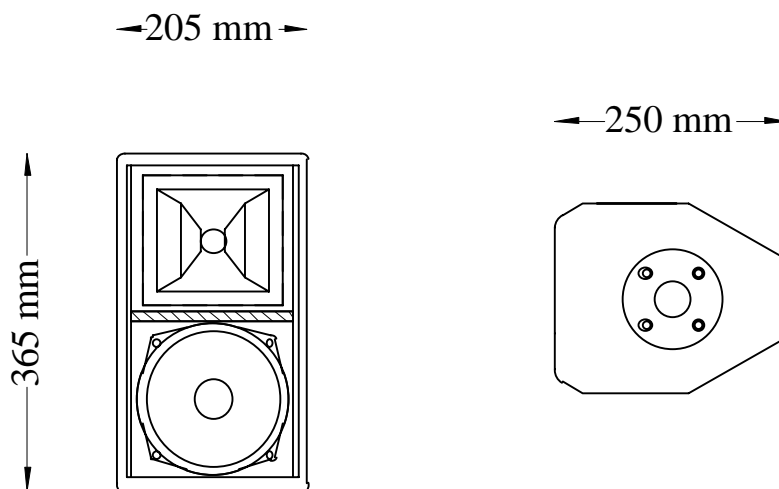


LS 7 – Technical Specifications (rev4 11/08/04)

Description:	<ul style="list-style-type: none"> • A compact, passive, full range sound reinforcement enclosure.
Frequency Response:	<ul style="list-style-type: none"> • 70Hz – 18kHz
Components:	<ul style="list-style-type: none"> • Bass/mid: 6.5" cone driver • HF: 1" exit compression driver
Power handling:	<ul style="list-style-type: none"> • 100w
Sensitivity (1):	<ul style="list-style-type: none"> • 95dB
Directivity:	<ul style="list-style-type: none"> • 90° x 60° above 2kHz
Construction:	<ul style="list-style-type: none"> • 15mm Birch plywood
Finish:	<ul style="list-style-type: none"> • Water based textured black paint
Connections:	<ul style="list-style-type: none"> • 2 x Neutrik NL4 connectors • 1+/1- Input 2+/2- No connection
Dimensions:	<ul style="list-style-type: none"> • 205mm (W) x 365mm (H) x 250mm (D)
Packaged Dimensions:	<ul style="list-style-type: none"> • 220mm (W) x 380mm (H) x 265mm (D)
Impedance:	<ul style="list-style-type: none"> • 8 ohms nominal
Weight:	<ul style="list-style-type: none"> • 9 Kg
Fittings:	<ul style="list-style-type: none"> • 4 x M8 inserts for Omnimount 40 top and back • 6 x M10 insert points

Note: (1) Sensitivity measured at 1 metre with 2.83V, using band limited pink noise.



LS 7 Options

Cabinet	Code	Handles	Tophat	M20 plate	M20 blank	Castors	Bracket	Inserts/Fly Points
LS 7	LS 4060	1 off	Yes	No	No	No	Yes	6 off M10 inserts