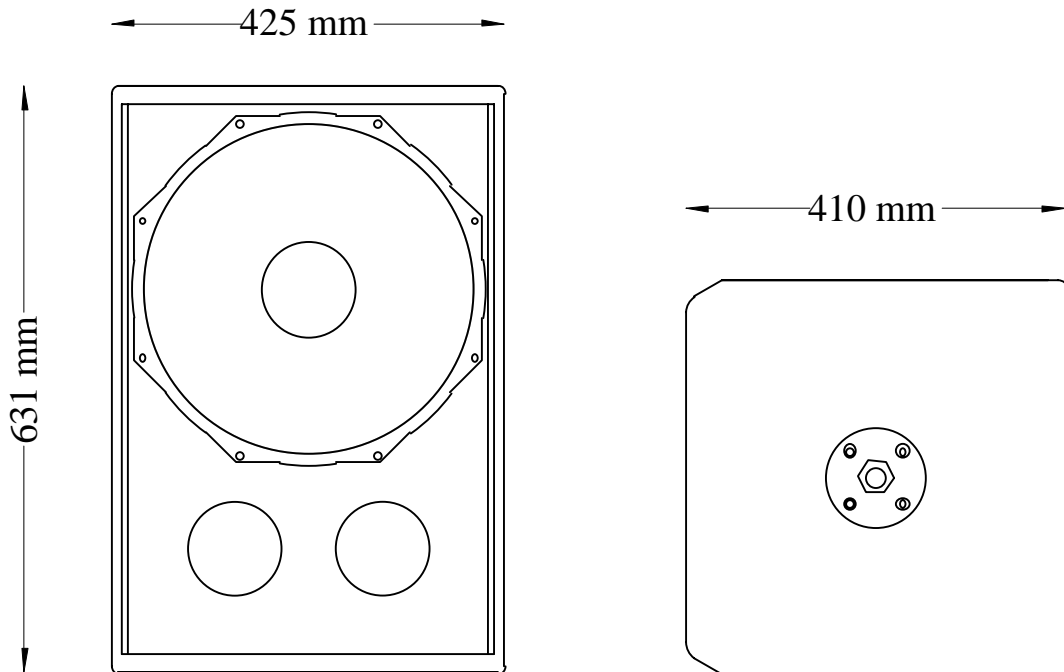


## X 150 – Technical Specifications (rev: 4 22/03/04)

<b>Description:</b>	<ul style="list-style-type: none"> <li>• A high power, compact, bass enclosure in active and passive versions</li> <li>• Passive version incorporates a 150Hz low pass filter and 70Hz high pass output</li> <li>• For optimum bass performance use with XB6 controller</li> </ul>
<b>Frequency Response:</b>	<ul style="list-style-type: none"> <li>• 40Hz – 150Hz</li> </ul>
<b>Components:</b>	<ul style="list-style-type: none"> <li>• Bass: 1 x 15" cone driver</li> </ul>
<b>Power handling:</b>	<ul style="list-style-type: none"> <li>• 500w</li> </ul>
<b>Sensitivity (1):</b>	<ul style="list-style-type: none"> <li>• 101B</li> </ul>
<b>Directivity:</b>	<ul style="list-style-type: none"> <li>• Omni-directional</li> </ul>
<b>Construction:</b>	<ul style="list-style-type: none"> <li>• 18mm Birch plywood</li> </ul>
<b>Finish:</b>	<ul style="list-style-type: none"> <li>• Water based textured black paint</li> </ul>
<b>Connections:</b>	<ul style="list-style-type: none"> <li>• 2 x Neutrik NL4 connectors (Main plate)</li> <li>• 1 x Neutrik NL4 connector (Bi-amp plate)</li> <li>• Main plate: 1+/1- Input 2+/2- Linked</li> <li>• Bi-amp plate (active:) 1+/1- linked to 2+/2- main plate 2+/2- No connection</li> <li>• Bi-amp plate (passive:) 1+/1- 70Hz high pass output 2+/2- No connection</li> </ul>
<b>Dimensions:</b>	<ul style="list-style-type: none"> <li>• 425mm (W) x 631mm (H) x 410mm (D)</li> </ul>
<b>Packaged Dimensions:</b>	<ul style="list-style-type: none"> <li>• 440mm (W) x 656mm (H) x 425mm(D)</li> </ul>
<b>Impedance:</b>	<ul style="list-style-type: none"> <li>• 4 ohms nominal</li> </ul>
<b>Weight:</b>	<ul style="list-style-type: none"> <li>• 25 Kg</li> </ul>

**Note:** (1) Sensitivity measured at 1 metre with 2.83V, using band limited pink noise.



### X 150 Options

Cabinet	Code	Spec.	Handles	Tophat	M20 plate	M20 Blank	Castors	Bracket	Inserts/Fly Points
X 150P	LS 6071	T-Spec	2 off	No	Yes x 2 off	No	No	No	No
X150A	LS6074	T-.spec	2 off	No	Yes x 2 off	No	No	No	No