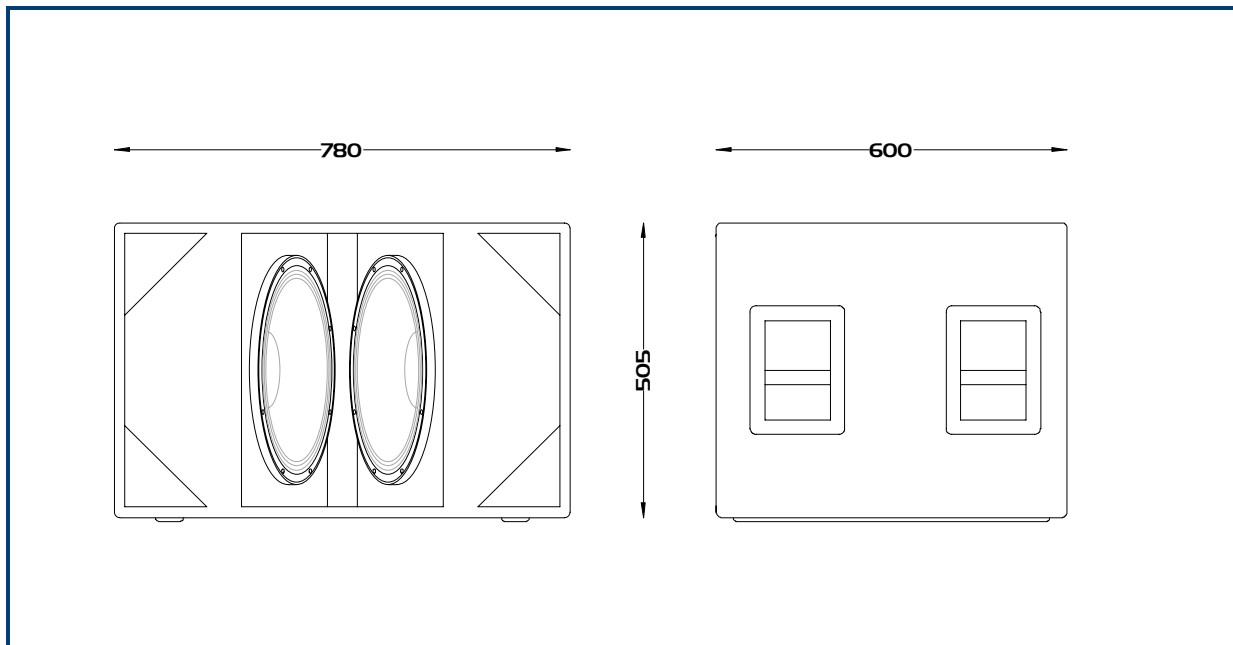




The Logic Systems B300i is a compact, high power, installation specific bass enclosure. It features two band pass loaded 15” bass drivers. The benefit of this configuration is increased in band SPL, while retaining a tight, punchy and controlled bass sound. The cabinet is designed to add bass support to ML and IS series products within fixed installation and can also be combined with the SB180i, which shares dimensions and runner spacing’s, aiding stacking of the products in fixed installations. The DP2140 system controller can be used to combine the B300i with Logic Systems ML and IS Series products.



Frequency Response:	• 40Hz – 150Hz
Components:	• Bass: 2 x 15” cone driver • HF: N/A
Power handling:	• 1000w
Sensitivity (1):	• 105dB
Directivity:	• Omni-directional
Impedance:	• 4 Ohm
Construction:	• 18mm Birch plywood
Finish:	• Water based textured black paint
Connections:	• 2 x Neutrik NL4 connectors • 1+/1- Input 2+/2- Linked
Dimensions:	• 505mm (W) x 780mm (H) x 600mm (D)
Packaged Dimensions:	• 635mm (W) x 930mm (H) x 730mm(D)
Weight:	• 63Kg

Cabinet	Handles	Tophat	M20 plate	Castors	Bracket Pt.	Inserts/Fly Points
B300i	4 off	No	No	No	No	No

Note: (1) Sensitivity measured at 1 metre with 2.83V, using band limited pink noise.