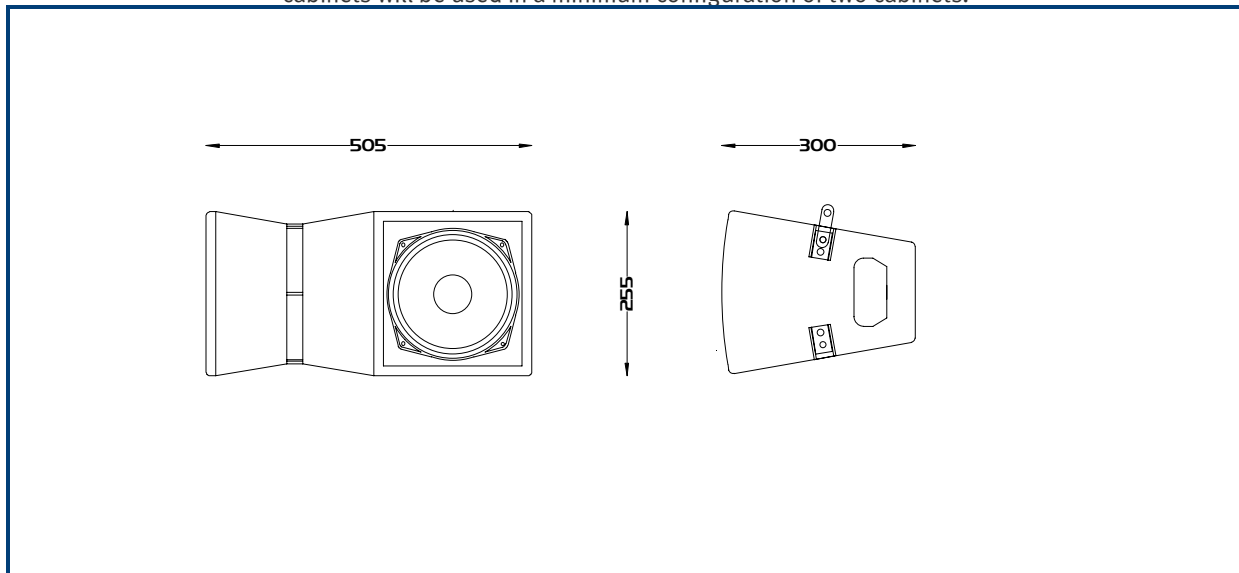




Ethos CA20 is an ultra compact fixed angle array enclosure. With horizontal coverage of 90° and vertical coverage of 20°, the cabinet contains an 8” Neodymium cone driver which is passively combined with two waveguide mounted 1” Neodymium compression drivers. With a cabinet impedance of 16 ohms a multi cabinet system can be driven from a single amplifier channel. System control is provided by the Logic Systems DP2140 controller. Each box has a central connection point, which enables cabinets to be quickly and easily joined together with a link bar and Ball Lok pin. Applications for Ethos CA10 include A/V presentation, church, theatre, discotheque installation or as a side hang for the bigger brother Ethos VA. Ethos CA20 can be used for vocal reproduction without the need for bass support or combined with the Nd115 or Nd215 bass cabinets when bass support is required. Ethos CA20 is the ultimate flexible product, it can be pole mounted, ground stacked, or combined into a flown array. The bass options can be used as the basis of a ground stack or flown above CA20 in an array. It is intended that Ethos CA cabinets will be used in a minimum configuration of two cabinets.



Frequency Response:	• 100Hz – 20kHz (With assisted alignment)
Components:	• Bass/mid: 1 off 8” neodymium cone drivers. • HF: 2 off 1” exit neodymium compression driver.
Power handling:	• 250w (Per cabinet)
Sensitivity (1):	• 103dB (Minimum two box configuration)
Directivity:	• 90° x 20° above 1kHz
Impedance:	• 16 ohm
Construction:	• 15mm Birch plywood
Finish:	• Water based textured black paint
Connections:	• 2 x Neutrik NL4 connectors • 1+/1- input 2+ /2- n/c
Dimensions:	• 505mm (W) x 255mm (H) x 300mm (D)
Packaged Dimensions (2):	• 640mm (W) x 680mm (H) x 420mm (D)
Weight:	• 15Kg

Cabinet	Handles	Tophat	M20 plate	Castors	Bracket Pt.	Inserts/Fly Points
Ethos CA20	2 off	Variable	No	No	No	Full integrated system

Note: (1) Sensitivity measured at 1 metre with 2.83V, using band limited pink noise.

(2) Please note that CA cabinets are supplied boxed in pairs.

E: sales@logicsystems.co.uk T: +44(0)1427 611791 w: www.logicsystems.co.uk