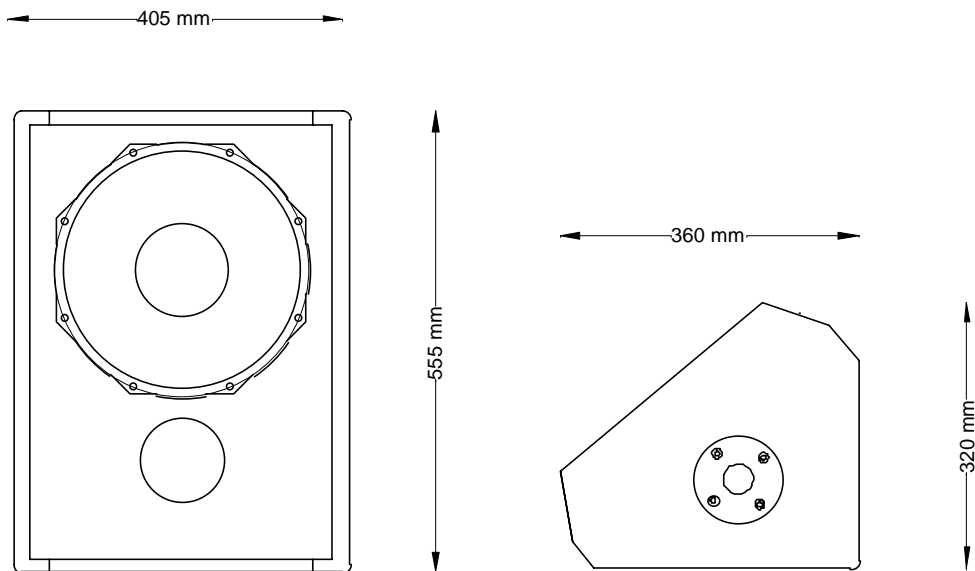


## CM 12 – Technical Specifications (rev3 13/11/02)

<b>Description:</b>	<ul style="list-style-type: none"> <li>• A compact, passive, full range sound reinforcement enclosure.</li> </ul>
<b>Frequency Response:</b>	<ul style="list-style-type: none"> <li>• 60Hz – 18kHz</li> </ul>
<b>Components:</b>	<ul style="list-style-type: none"> <li>• Bass/mid: 12" cone driver</li> <li>• HF: 1" exit compression driver, coaxially mounted</li> </ul>
<b>Power handling:</b>	<ul style="list-style-type: none"> <li>• 400w</li> </ul>
<b>Sensitivity (1):</b>	<ul style="list-style-type: none"> <li>• 98dB</li> </ul>
<b>Directivity:</b>	<ul style="list-style-type: none"> <li>• 60° conical above 1kHz</li> </ul>
<b>Construction:</b>	<ul style="list-style-type: none"> <li>• 15mm Birch plywood</li> </ul>
<b>Finish:</b>	<ul style="list-style-type: none"> <li>• Water based textured black paint (M-Spec)</li> <li>• Dark grey carpet (R-Spec)</li> </ul>
<b>Connections:</b>	<ul style="list-style-type: none"> <li>• 2 x Neutrik NL4 connectors</li> <li>• 1+/1- Input 2+/2- No connection</li> </ul>
<b>Dimensions:</b>	<ul style="list-style-type: none"> <li>• 405mm (W) x 555mm (H) x 360mm (D)</li> </ul>
<b>Packaged Dimensions:</b>	<ul style="list-style-type: none"> <li>• 420mm (W) x 580mm (H) x 375mm(D)</li> </ul>
<b>Impedance:</b>	<ul style="list-style-type: none"> <li>• 8 ohms nominal</li> </ul>
<b>Weight:</b>	<ul style="list-style-type: none"> <li>• 24 Kg</li> </ul>

**Note:** (1) Sensitivity measured at 1 metre with 2.83V, using band limited pink noise.



## CM 12 Options

Cabinet	Code	Spec.	Handles	Tophat	M20 plate	M20 blank	Castors	Bracket	Inserts/Fly Points
CM 12	LS 2045	R-Spec	1 off	Yes	No	No	No	No	No
	LS 4045	M-Spec	1 off	Yes	No	No	No	No	12 off M10 inserts