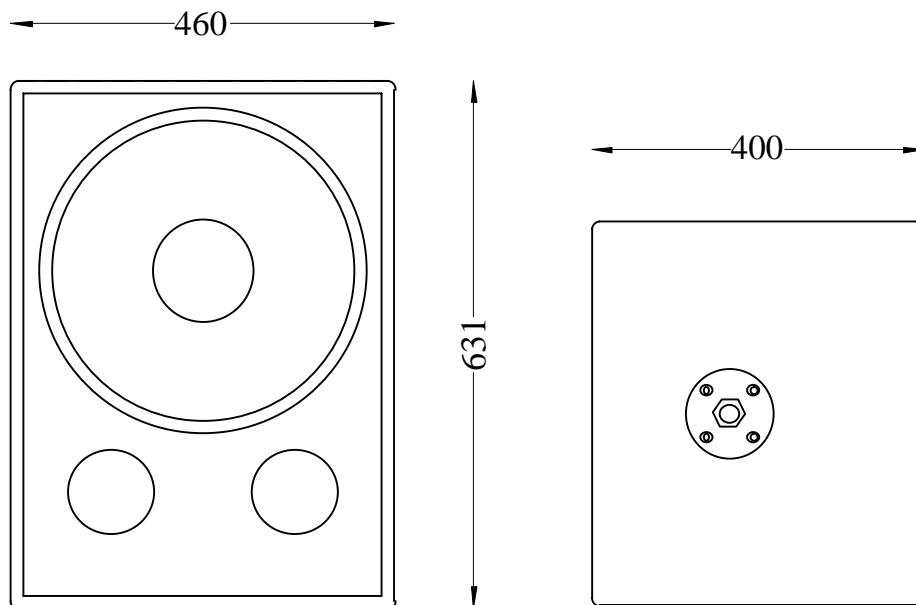


CM 150 – Technical Specifications (rev2 17/07/03)

- Description:**
- A high power, compact, bass enclosure in active and passive versions.
 - Passive version incorporates a 150Hz low pass filter and 70Hz high pass output
 - For optimum bass performance use with XB6 controller (passive) or EQ1510 (active)
- Frequency Response:**
- 40Hz – 150Hz
- Components:**
- Bass: 1 x 15" cone driver
- Power handling:**
- 500w
- Sensitivity (1):**
- 101dB
- Directivity:**
- Omni-directional
- Construction:**
- 18mm Birch plywood
- Finish:**
- Dark grey carpet (R-Spec)
- Connections:**
- 2 x Neutrik NL4 connectors (Main plate)
 - 1 x Neutrik NL4 connector (Bi-amp plate)
 - Main plate: 1+/1- Input 2+/2- Linked
 - Bi-amp plate (active:) 1+/1- linked to 2+/2- main plate 2+/2- No connection
 - Bi-amp plate (passive:) 1+/1- 70Hz high pass output 2+/2- No connection
- Dimensions:**
- 460mm (W) x 631mm (H) x 400mm (D)
- Packaged Dimensions:**
- 475mm (W) x 656mm (H) x 415mm(D)
- Impedance:**
- 4 ohms nominal
- Weight:**
- 25 Kg
- Note:** (1) Sensitivity measured at 1 metre with 2.83V, using band limited pink noise.



CM 150 Options

Cabinet	Code	Spec.	Handles	Tophat	M20 plate	M20 Blank	Castors	Bracket	Inserts/Fly Points
CM 150A	LS 2044	R-Spec	2 off	No	Yes 2 off	No	No	No	No
CM 150P	LS 2043	R-Spec	2 off	No	Yes 2 off	No	No	No	No