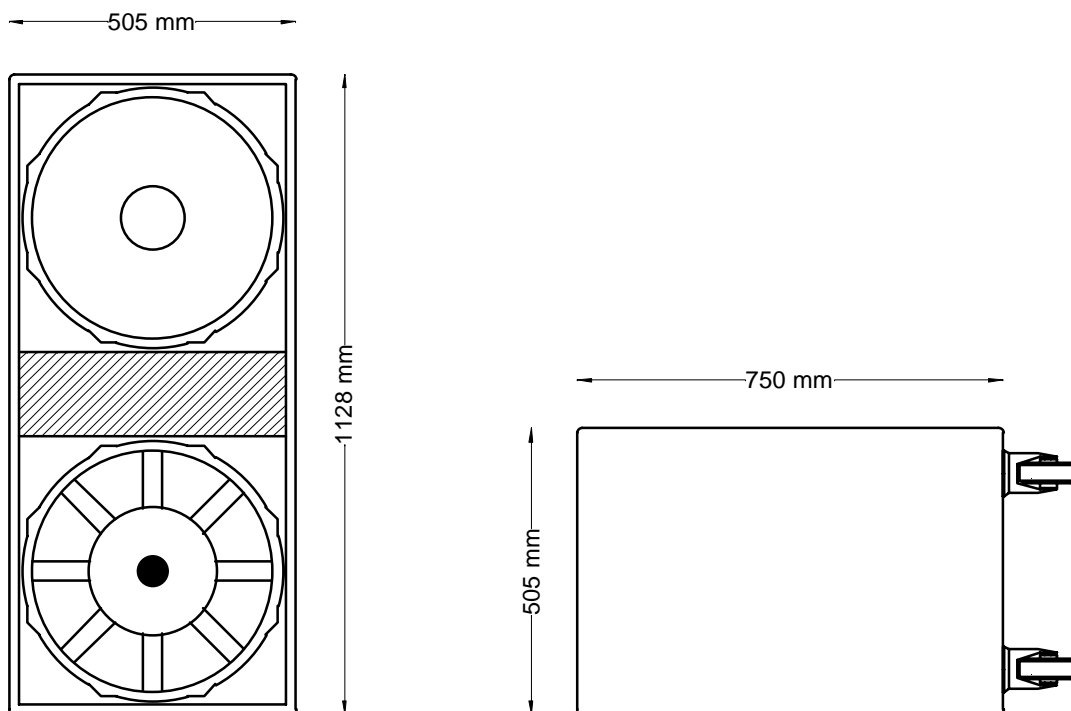


CS 1000SB – Technical Specifications (rev2 01/05/01)

Description:	<ul style="list-style-type: none"> • A high power, push/pull sub bass enclosure. • Requires 6th order EQ for optimum bass performance. (Refer to DSP settings.)
Frequency Response:	<ul style="list-style-type: none"> • 40Hz – 150Hz
Components:	<ul style="list-style-type: none"> • Bass: 2 x 18" cone driver
Power handling:	<ul style="list-style-type: none"> • 2Kw
Sensitivity (1):	<ul style="list-style-type: none"> • 101dB
Directivity:	<ul style="list-style-type: none"> • Omni-directional
Construction:	<ul style="list-style-type: none"> • 18mm Birch plywood
Finish:	<ul style="list-style-type: none"> • Water based textured black paint (M-Spec and T-Spec) • Dark Grey carpet (R-Spec)
Connections:	<ul style="list-style-type: none"> • 2 x Neutrik NL4 connectors • 1+/1- Input 2+/2- No connection
Dimensions:	<ul style="list-style-type: none"> • 505mm (W) x 1128mm (H) x 750mm (D)
Packaged Dimensions:	<ul style="list-style-type: none"> • 520mm (W) x 1155mm (H) x 765mm(D)
Impedance:	<ul style="list-style-type: none"> • 4 ohms
Weight:	<ul style="list-style-type: none"> • 78 Kg

Note: (1) Sensitivity measured at 1 metre with 2.83V, using band limited pink noise.



CS 1000SB Options

Cabinet	Code	Spec.	Handles	Tophat	M20 plate	M20 Blank	Castors	Bracket	Inserts/Fly Points
CS 1000SB	LS 2040	R-Spec	6 off	No	No	No	Yes	No	No
	LS 4040	M-Spec	6 off	No	No	No	No	No	No
	LS 6040	T-Spec	6 off	No	No	No	Yes	No	No