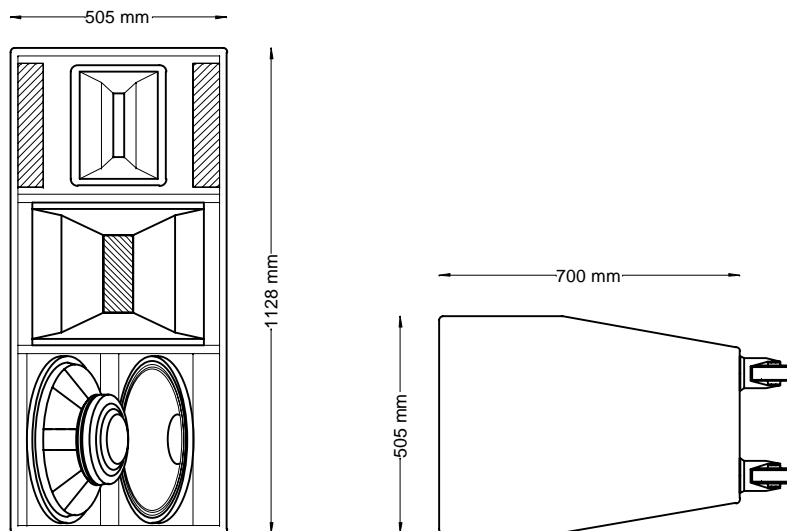


CS 1000 – Technical Specifications (rev2 01/05/01)

- Description:**
 - A full range, bi-amp enclosure with a horn loaded mid/top.
 - Bass requires 6th order EQ for optimum performance.
- Frequency Response:**
 - 40Hz – 18kHz
- Components:**
 - Bass: 2 x 15" cone driver
 - Mid: Horn loaded 10" cone driver
 - HF: 2" exit compression driver on CD horn
- Power handling:**
 - Bass: 1200w
 - Mid/top: 300w
- Sensitivity (1):**
 - Bass: 99dB
 - Mid/top: 103dB
- Directivity:**
 - Bass: Omni-directional
 - Mid/top: 90H x 40v
- Construction:**
 - 18mm Birch plywood
- Finish:**
 - Water based textured black paint (M-Spec and T-Spec)
 - Royal Blue carpet (R-Spec)
- Connections:**
 - 2 x Neutrik NL4 connectors
 - 1+/- Bass 2+/- Mid/top
- Dimensions:**
 - 505mm (W) x 1128mm (H) x 700mm (D)
- Packaged Dimensions:**
 - 520mm (W) x 1160mm (H) x 810mm(D)
- Impedance:**
 - Bass/mid: 4 ohms nominal
 - Mid/top: 8 ohms nominal
- Weight:**
 - 85 Kg

Note: (1) Sensitivity measured at 1 metre with 2.83V, using band limited pink noise.



CS 1000 Options

Cabinet	Code	Spec.	Handles	Tophat	M20 plate	M20 Blank	Castors	Bracket	Inserts/Fly Points
CS 1000	LS 2038	R-Spec	4 off	No	No	No	Yes	No	No
	LS 4038	M-Spec	4 off	No	No	No	No	No	12 off M10 inserts
	LS 6038	T-Spec	4 off	No	No	No	Yes	No	3 off Fly plates