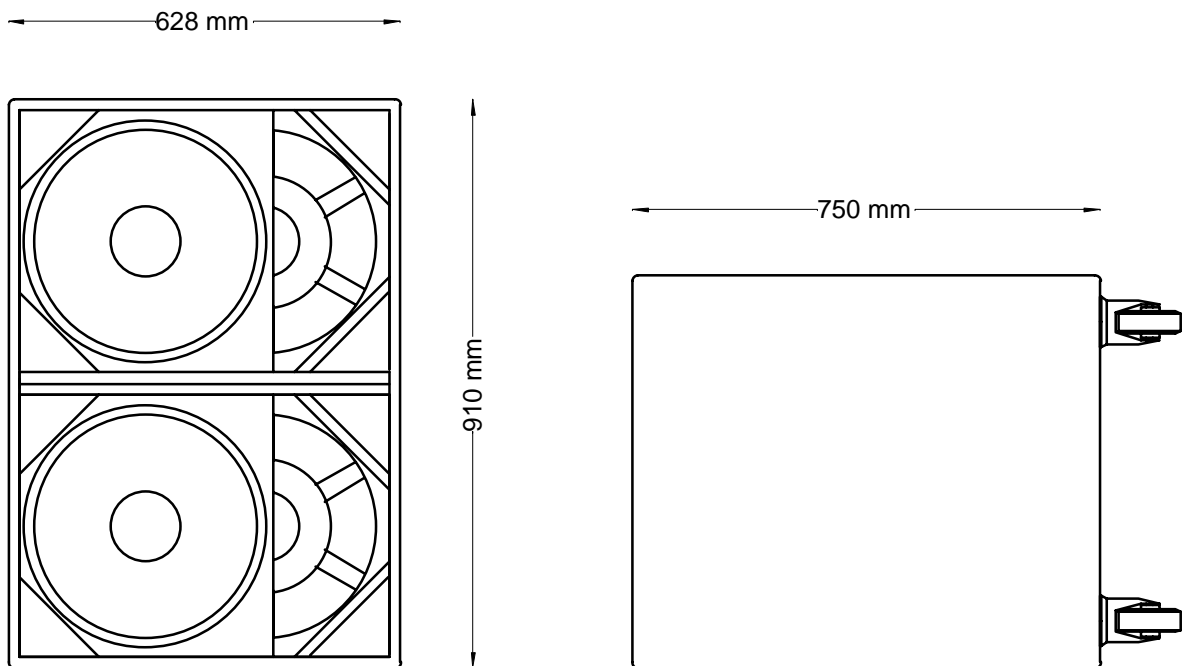


CS 1260B – Technical Specifications (rev2 01/05/01)

Description:	<ul style="list-style-type: none"> • A high power, push/pull bass enclosure. • Requires 6th order EQ for optimum performance.
Frequency Response:	<ul style="list-style-type: none"> • 40Hz – 150Hz
Components:	<ul style="list-style-type: none"> • Bass: 4 x 15" cone driver
Power handling:	<ul style="list-style-type: none"> • 2.4Kw
Sensitivity (1):	<ul style="list-style-type: none"> • 102dB
Directivity:	<ul style="list-style-type: none"> • Omni-directional
Construction:	<ul style="list-style-type: none"> • 18mm Birch plywood
Finish:	<ul style="list-style-type: none"> • Water based textured black paint
Connections:	<ul style="list-style-type: none"> • 2 x Neutrik NL4 connectors • 1+/1- to drivers 1 and 2 2+/2- to drivers 3 and 4
Dimensions:	<ul style="list-style-type: none"> • 628mm (W) x 910mm (H) x 750mm (D)
Packaged Dimensions:	<ul style="list-style-type: none"> • 645mm (W) x 925mm (H) x 765mm(D)
Impedance:	<ul style="list-style-type: none"> • 2 ohms nominal (2 x 4ohm)
Weight:	<ul style="list-style-type: none"> • 120 Kg

Note: (1) Sensitivity measured at 1 metre with 2.83V, using band limited pink noise.



CS 1260B Options

Cabinet	Code	Spec.	Handles	Tophat	M20 plate	M20 Blank	Castors	Bracket	Inserts/Fly Points
CS1260B	LS 4008	M-Spec	4 off	No	No	No	No	No	No