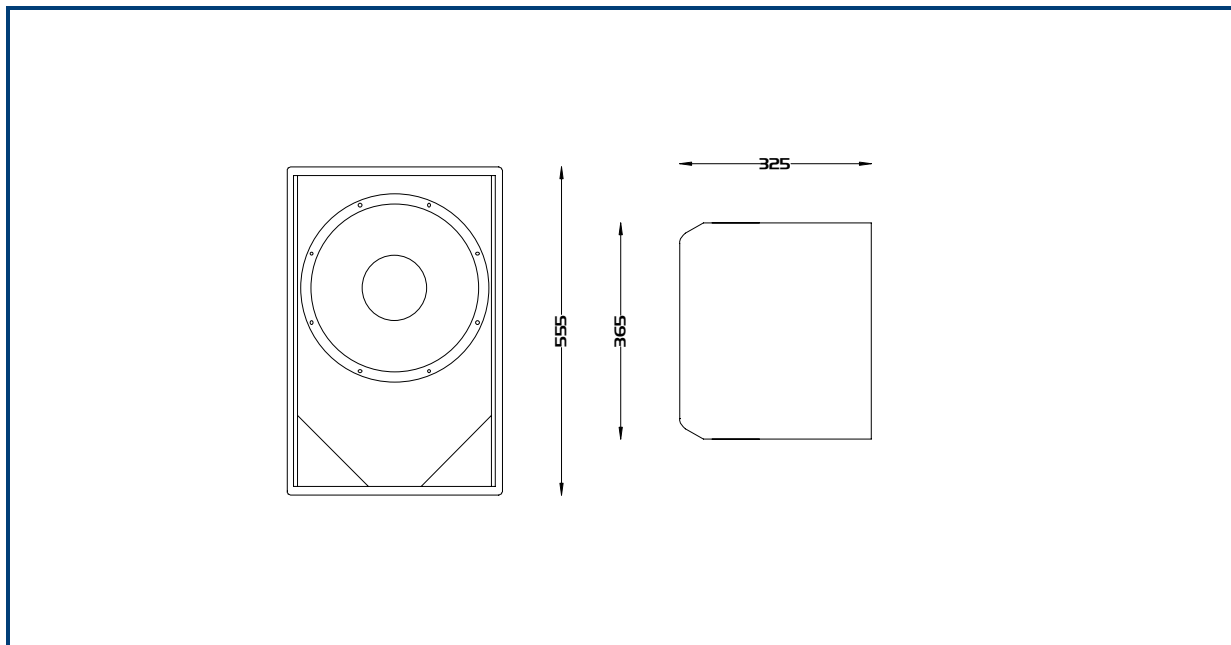




The Logic Systems B120i is a compact, high power, bass enclosure which features a direct radiating 12” bass driver. The B120i is installation specific. Corner porting also ensures uniformity of performance when mounted in either the landscape or portrait modes. The Logic Systems DP2140 system controller contains presets for the combination of the B120i with other Logic Systems product.



Frequency Response:	<ul style="list-style-type: none"> • 55Hz – 150Hz
Components:	<ul style="list-style-type: none"> • Bass: 1 x 12” cone driver • HF: N/A
Power handling:	<ul style="list-style-type: none"> • 400W
Sensitivity (1):	<ul style="list-style-type: none"> • 98dB
Directivity:	<ul style="list-style-type: none"> • Omni-directional
Impedance:	<ul style="list-style-type: none"> • 8 Ohm
Construction:	<ul style="list-style-type: none"> • 15mm Birch plywood
Finish:	<ul style="list-style-type: none"> • Water based textured black paint
Connections:	<ul style="list-style-type: none"> • 2 x Neutrik NL4 MPR • 1+/-: Input 2+/-: Linked
Dimensions:	<ul style="list-style-type: none"> • 365mm (W) x 555mm (H) x 325mm (D)
Packaged Dimensions:	<ul style="list-style-type: none"> • 500mm (W) x 720mm (H) x 445mm(D)
Weight:	<ul style="list-style-type: none"> • 22Kg

Cabinet	Handles	Tophat	M20 plate	Castors	Bracket Pt.	Inserts/Fly Points
B120i	No	No	No	No	No	No

Note: (1) Sensitivity measured at 1 metre with 2.83V, using band limited pink noise.