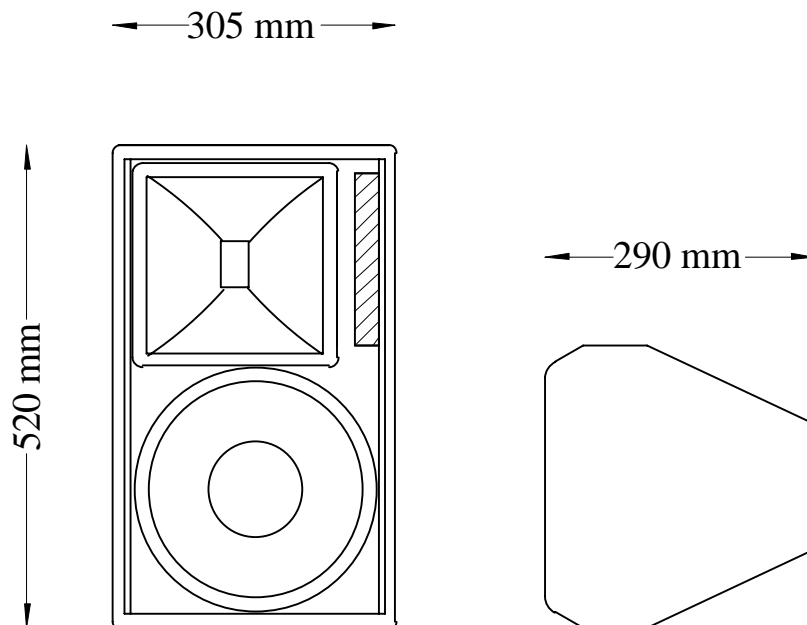


IS 10 – Technical Specifications (rev5 17/07/03)

Description:	• A compact, full range, speaker enclosure.
Frequency Response:	• 58Hz – 20kHz
Components:	• Bass/mid: 10" cone driver • HF: 1" exit compression driver, on CD flare.
Power handling:	• 200w
Sensitivity (1):	• 96dB
Directivity:	• 90° x 60° above 1.5kHz
Construction:	• 15mm Birch plywood
Finish:	• Water based textured black paint
Connections:	• 1 x Neutrik NL4 connectors • 1+/1- input 2+/2- No connection
Dimensions:	• 305mm (W) x 520mm (H) x 290mm (D)
Packaged Dimensions:	• 320mm (W) x 535mm (H) x 305mm(D)
Impedance:	• 8 ohms nominal
Weight:	• 18 Kg
Fittings:	• 4 x M8 inserts for Omnimount 100, top, back and side • 6 x M10 insert points

Note: (1) Sensitivity measured at 1 metre with 2.83V, using band limited pink noise.



IS 10 Options

Cabinet	Code	Spec.	Handles	Top hat	M20 plate	M20 Blank	Castors	Bracket	Inserts/Fly Points
IS10	LS 4052	M-Spec	No	No	No	No	No	Yes	6 off M10 inserts