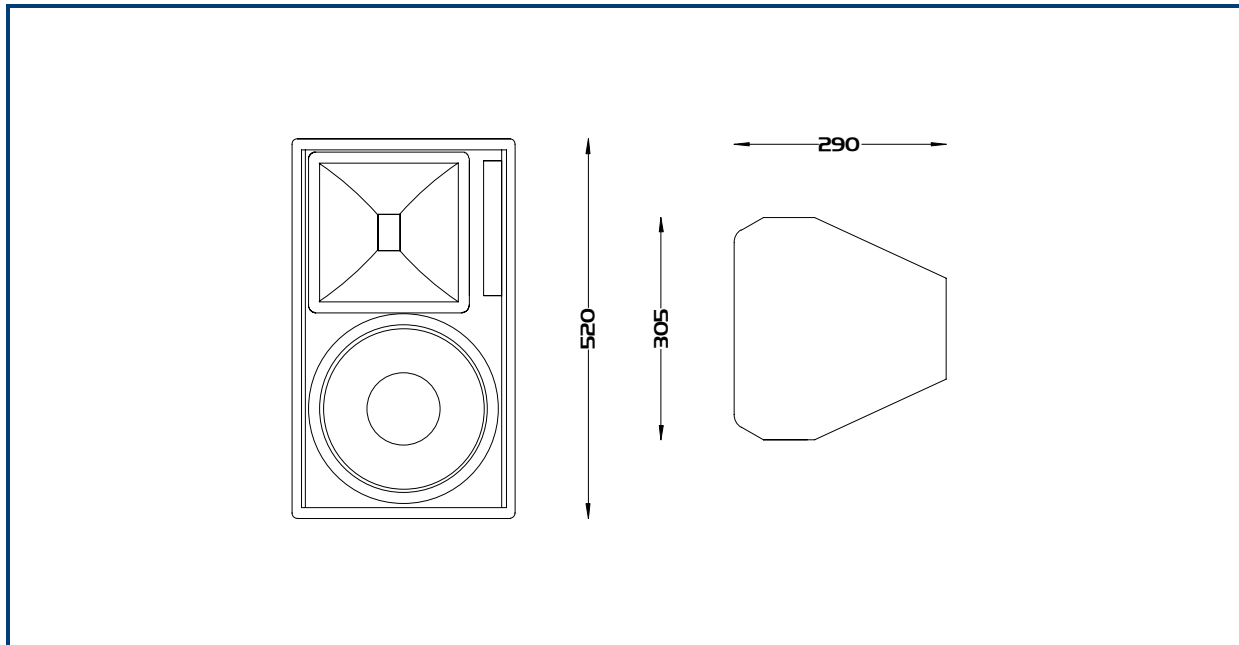




The Logic Systems IS10 cabinet combines a 10" Mid/Bass cone with 1" compression driver on a 90 x 75 horn flare. The cabinet is part of the IS series which is aimed specifically at the Bar and Club installation market.

The IS Series are available with a range of bracket options to aid installation and can also be ordered in special colours to fit the needs of the designers. Standard colours are black and white. The IS Series aims to bring both an audio and build quality that is not common at this price point. To this end all IS Series cabinets are constructed from birch ply and are rebated, glued and screwed. Additionally all audio components are sourced from within the EU.



Frequency Response:	• 58Hz – 20kHz
Components:	• Bass/mid:10" cone driver • HF: 1" exit compression driver, on CD flare
Power handling:	• 300w
Sensitivity (1):	• 96dB
Directivity:	• 90° x 75° above 1.5kHz
Impedance:	• 8 Ohms nominal
Construction:	• 15mm Birch plywood
Finish:	• Water based textured black paint
Connections:	• 1 x Neutrik NL4 MPR • 1+/2+ = Positive Input 1-/2- = Negative Input
Dimensions:	• 305mm (W) x 520mm (H) x 290mm (D)
Packaged Dimensions (2):	• 780mm (W) x 680mm (H) x 420mm (D)
Weight:	• 18Kg

Cabinet	Handles	Tophat	M20 plate	Castors	Bracket Pt.	Inserts/Fly Points
IS10	No	No	No	No	Back/side/Top	6 off M10 inserts

Note: (1) Sensitivity measured at 1 metre with 2.83V, using band limited pink noise.
(2) Please note that IS10 cabinets are supplied boxed in pairs.