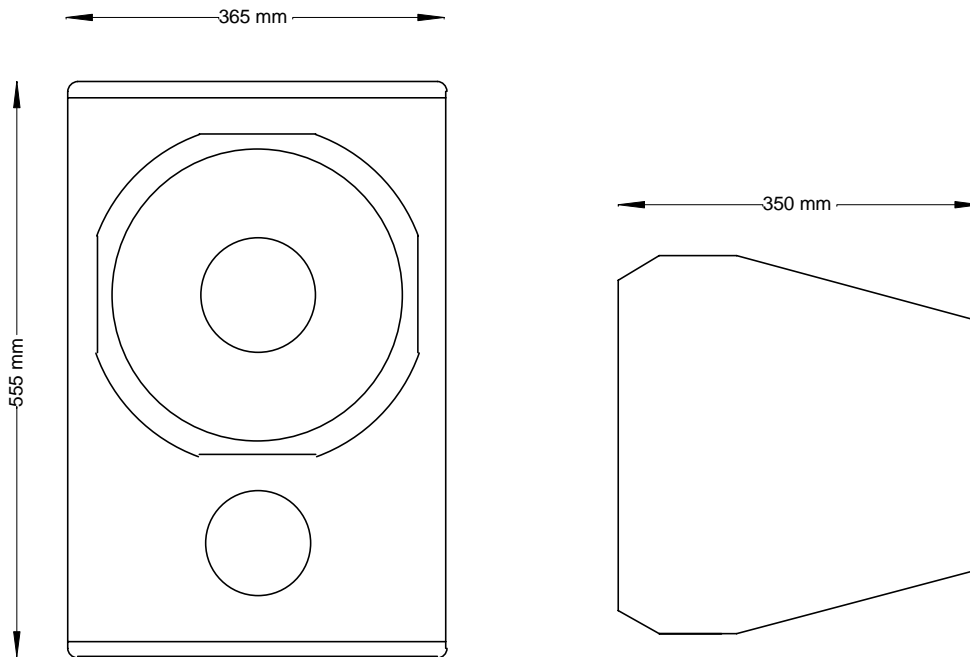


IS 12 – Technical Specifications (rev3 03/09/02)

Description:	• A compact, full range, speaker enclosure.
Frequency Response:	• 50Hz – 18kHz
Components:	• Bass/mid: 12" cone driver • HF: 1" exit compression driver, coaxially mounted
Power handling:	• 250w
Sensitivity (1):	• 97dB
Directivity:	• 60° conical above 1kHz
Construction:	• 15mm Birch plywood
Finish:	• Water based textured black paint
Connections:	• 2 x Neutrik NL4 connectors • 1+/1- input 2+/2- No connection
Dimensions:	• 365mm (W) x 555mm (H) x 350mm (D)
Packaged Dimensions:	• 380mm (W) x 570mm (H) x 365mm(D)
Impedance:	• 8 ohms nominal
Weight:	• 22 Kg
Fittings:	• 4 x M8 inserts for Omnimount 100, top and back • 6 x M10 inserts for flying

Note: (1) Sensitivity measured at 1 metre with 2.83V, using band limited pink noise.



IS 12 Options

Cabinet	Code	Spec.	Handles	Top hat	M20 plate	M20 Blank	Castors	Bracket	Inserts/Fly Points
IS 12	LS 4051	M-Spec	No	No	No	No	No	Yes	6 off M10 inserts