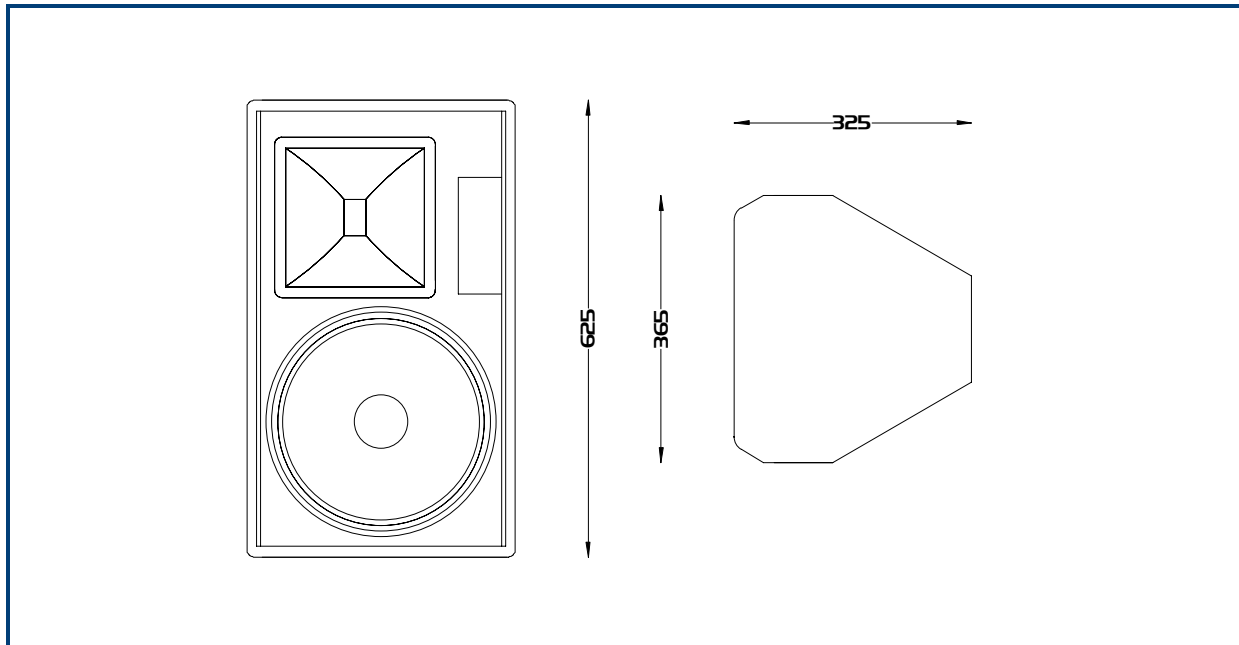




The Logic System IS12 cabinet combines a 12” Mid/Bass cone with 1” compression driver on a 90 x 60 horn flare. The cabinet is part of the IS series which is aimed specifically at the Bar and Club installation market.

The IS Series are available with a range of bracket options to aid installation and can also be ordered in special colours to fit the needs of the designers. Standard colours are black, white and silver. The IS Series aims to bring both an audio and build quality that is not common at this price point. To this end all IS Series cabinets are constructed from birch ply and are rebated, glued and screwed. Additionally all audio components are sourced from within the EU.



<b>Frequency Response:</b>	• 60Hz –18kHz
<b>Components:</b>	• Bass/mid:12” cone driver • HF: 1” exit compression driver
<b>Power handling:</b>	• 300w
<b>Sensitivity (1):</b>	• 97dB
<b>Directivity:</b>	• 90° x 60° above 2kHz
<b>Impedance:</b>	• 8 Ohms nominal
<b>Construction:</b>	• 15mm Birch plywood
<b>Finish:</b>	• Water based textured black paint
<b>Connections:</b>	• 1 x Neutrik NL4 MPR • 1+/2+ = Positive Input 1-/2- = Negative Input
<b>Dimensions:</b>	• 365mm (W) x 625mm (H) x 325mm (D)
<b>Packaged Dimensions:</b>	• 475mm (W) x 745mm (H) x 435mm (D)
<b>Weight:</b>	• 22Kg

Cabinet	Handles	Tophat	M20 plate	Castors	Bracket Pt.	Inserts/Fly Points
IS12	No	No	No	No	Back/Side/Top	6 off M10 inserts

**Note:** (1) Sensitivity measured at 1 metre with 2.83V, using band limited pink noise.

E: sales@logic-system.co.uk T: +44(0)1427 611791 w: www.logic-system.co.uk