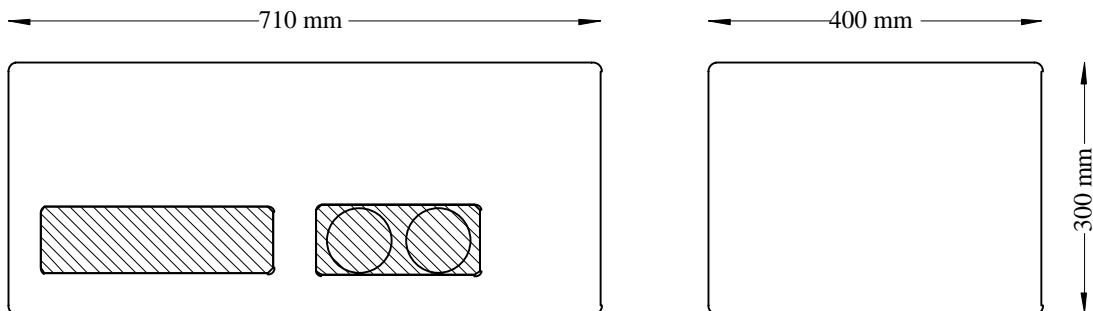


IS 23 – Technical Specifications (rev3 19/11/02)

- Description:**
- A compact, sub bass cabinet.
 - Requires 6th order EQ for optimum bass performance. (Refer to DSP settings.)
- Frequency Response:**
- 40Hz – 150Hz
- Components:**
- 1 x 12" cone driver
- Power handling:**
- 300w
- Sensitivity (1):**
- 95dB
- Directivity:**
- Omni-directional
- Construction:**
- 15mm Birch plywood
- Finish:**
- Water based textured black paint
- Connections:**
- 2 x Neutrik NL4 connectors
 - 1+/1- input 2+/2- no connection
- Dimensions:**
- 710mm (W) x 300mm (H) x 400mm (D)
- Packaged Dimensions:**
- 735mm (W) x 315mm (H) x 415 mm (D)
- Impedance:**
- 8 ohms nominal
- Weight:**
- 20 Kg

Note: (1) Sensitivity measured at 1 metre with 2.83V, using band limited pink noise.



IS 23 Options

Cabinet	Code	Spec.	Handles	Top hat	M20 plate	M20 Blank	Castors	Bracket	Inserts/Fly Points
IS 23	LS 4058	M-Spec	No	No	No	No	No	No	No