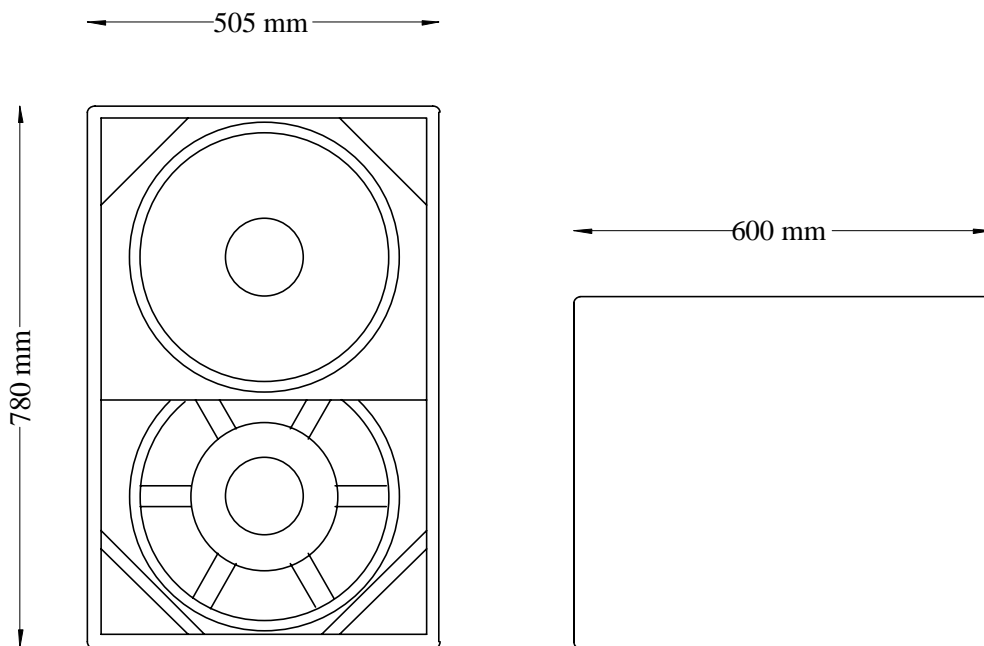


IS 30 – Technical Specifications (rev2 17/07/03)

Description:	<ul style="list-style-type: none"> • A compact, push/pull bass enclosure. • Requires 6th order EQ for optimum bass performance. (Refer to DSP settings.)
Frequency Response:	<ul style="list-style-type: none"> • 40Hz – 150Hz
Components:	<ul style="list-style-type: none"> • Bass: 2 x 15" cone driver
Power handling:	<ul style="list-style-type: none"> • 1Kw
Sensitivity (1):	<ul style="list-style-type: none"> • 101 dB
Directivity:	<ul style="list-style-type: none"> • Omni-directional
Construction:	<ul style="list-style-type: none"> • 18mm Birch plywood
Finish:	<ul style="list-style-type: none"> • Water based textured black paint
Connections:	<ul style="list-style-type: none"> • 2 x Neutrik NL4 connectors • 1+/1- Input 2+/2- Thru
Dimensions:	<ul style="list-style-type: none"> • 505mm (W) x 780mm (H) x 600mm (D)
Packaged Dimensions:	<ul style="list-style-type: none"> • 520mm (W) x 805mm (H) x 615mm(D)
Impedance:	<ul style="list-style-type: none"> • 4 ohms nominal
Weight:	<ul style="list-style-type: none"> • 63 Kg

Note: (1) Sensitivity measured at 1 metre with 2.83V, using band limited pink noise.



IS 30 Options

Cabinet	Code	Spec.	Handles	Tophat	M20 plate	M20 Blank	Castors	Bracket	Inserts/Fly Points
IS 30	LS 4054	M-Spec	4 off	No	No	Yes	No	No	No