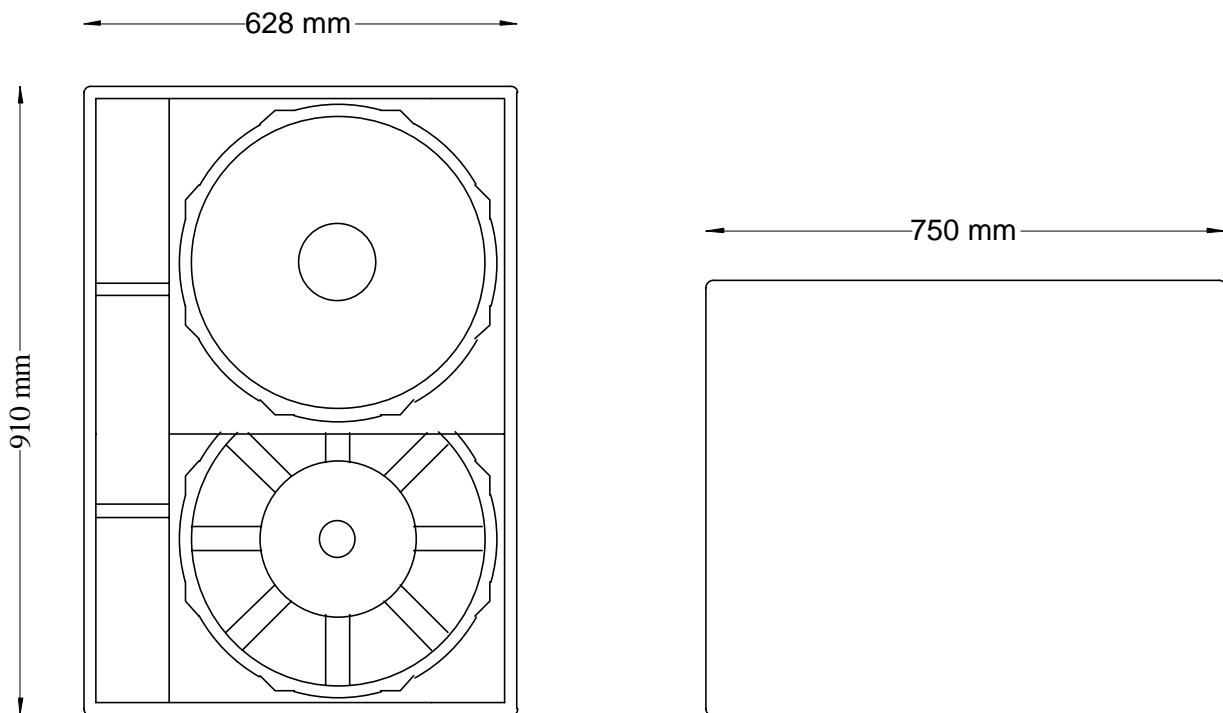


## IS 36 – Technical Specifications (rev1 03/09/02)

- |                             |  |
|-----------------------------|--|
| <b>Description:</b>         | <ul style="list-style-type: none"> <li>• A high power, push/pull sub bass enclosure.</li> <li>• Requires 6<sup>th</sup> order EQ for optimum bass performance. (Refer to DSP settings.)</li> </ul> |
| <b>Frequency Response:</b>  | <ul style="list-style-type: none"> <li>• 40Hz – 150Hz</li> </ul>   |
| <b>Components:</b>          | <ul style="list-style-type: none"> <li>• Sub bass: 2 x 18" cone driver</li> </ul>  |
| <b>Power handling:</b>      | <ul style="list-style-type: none"> <li>• 2Kw</li> </ul>  |
| <b>Sensitivity (1):</b>     | <ul style="list-style-type: none"> <li>• 101dB</li> </ul>  |
| <b>Directivity:</b>         | <ul style="list-style-type: none"> <li>• Omni-directional</li> </ul>   |
| <b>Construction:</b>        | <ul style="list-style-type: none"> <li>• 18mm Birch plywood</li> </ul>   |
| <b>Finish:</b>              | <ul style="list-style-type: none"> <li>• Water based textured black paint</li> </ul>   |
| <b>Connections:</b>         | <ul style="list-style-type: none"> <li>• 2 x Neutrik NL4 connectors</li> <li>• 1+/1- Input 2+/2- Thru</li> </ul>   |
| <b>Dimensions:</b>          | <ul style="list-style-type: none"> <li>• 628mm (W) x 910mm (H) x 750mm (D)</li> </ul>  |
| <b>Packaged Dimensions:</b> | <ul style="list-style-type: none"> <li>• 645mm (W) x 935mm (H) x 765mm(D)</li> </ul>   |
| <b>Impedance:</b>           | <ul style="list-style-type: none"> <li>• 4 ohms nominal</li> </ul>   |
| <b>Weight:</b>              | <ul style="list-style-type: none"> <li>• 85 Kg</li> </ul>  |

**Note:** (1) Sensitivity measured at 1 metre with 2.83V, using band limited pink noise.



### IS 36 Options

Cabinet	Code	Spec.	Handles	Tophat	M20 plate	M20 Blank	Castors	Bracket	Inserts/Fly Points
IS36	LS 4055	M Spec	4 off	No	No	No	No	No	No