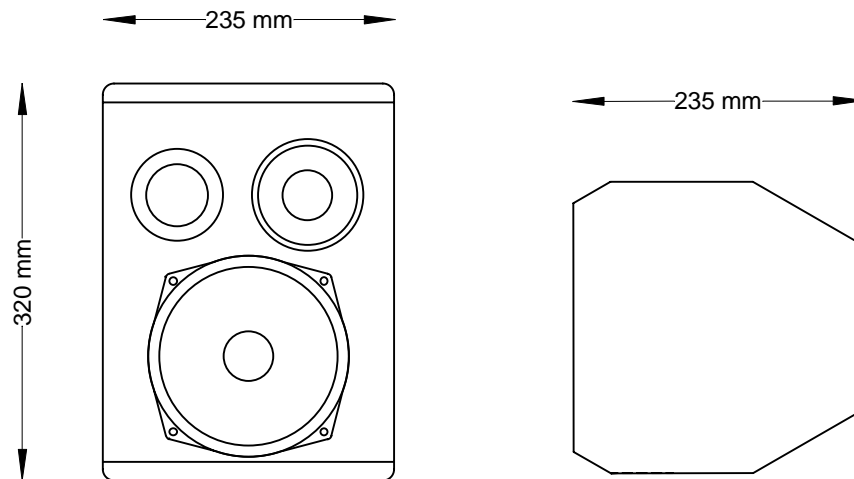


IS 7 – Technical Specifications (rev3 03/09/02)

Description:	• A compact, full range, foreground box.
Frequency Response:	• 70Hz – 20kHz
Components:	• Bass/mid: 6.5" cone driver • HF: Ring radiator
Power handling:	• 100W
Sensitivity (1):	• 94dB
Directivity:	• 60° conical above 2kHz
Construction:	• 15mm Birch plywood
Finish:	• Water based textured black paint
Connections:	• 4mm binding posts
Dimensions:	• 235mm (W) x 320mm (H) x 235mm (D)
Packaged Dimensions:	• 250mm (W) x 345mm (H) x 250mm(D)
Impedance:	• 8 ohms nominal
Weight:	• 8Kg
Fittings:	• 2 x M6 inserts for bracket, top and back
Note: (1) Sensitivity measured at 1 metre with 2.83V, using band limited pink noise.	



IS 7 Options

Cabinet	Code	Spec.	Handles	Tophat	M20 plate	M20 Blank	Castors	Bracket	Inserts/Fly Points
IS 7	LS 4059	M-Spec	No	No	No	No	No	Yes	No