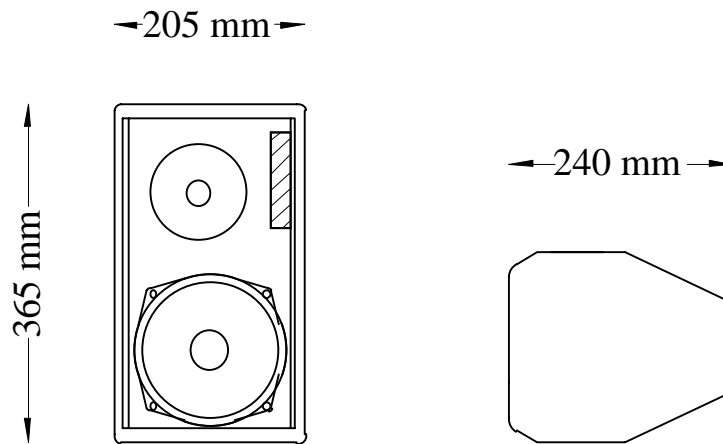


IS 7 – Technical Specifications (rev4 17/07/03)

- Description:**
- A compact, full range, foreground box.
- Frequency Response:**
- 70Hz – 20kHz
- Components:**
- Bass/mid: 6.5" cone driver
 - HF: Titanium dome
- Power handling:**
- 100W
- Sensitivity (1):**
- 94dB
- Directivity:**
- 100° Conical above 2kHz
- Construction:**
- 15mm Birch plywood
- Finish:**
- Water based textured black paint
- Connections:**
- 4mm binding posts
- Dimensions:**
- 205mm (W) x 365mm (H) x 240mm (D)
- Packaged Dimensions:**
- 220mm (W) x 380mm (H) x 255mm (D)
- Impedance:**
- 8 ohms nominal
- Weight:**
- 8Kg
- Fittings:**
- 2 x M6 inserts for bracket, top, back and side.
- Note:** (1) Sensitivity measured at 1 metre with 2.83V, using band limited pink noise.



IS 7 Options

Cabinet	Code	Spec.	Handles	Tophat	M20 plate	M20 Blank	Castors	Bracket	Inserts/Fly Points
IS 7	LS 4077	M-Spec	No	No	No	No	No	Yes	No