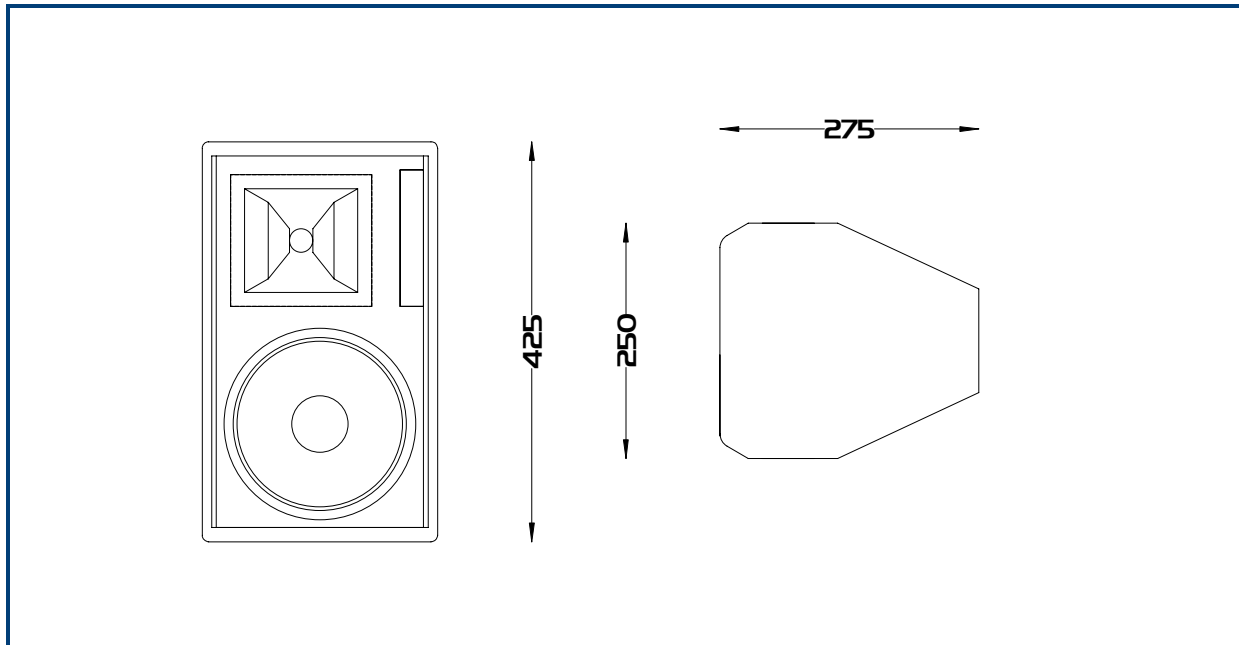




The Logic Systems IS8 cabinet combines an 8" Mid/Bass cone with a 1" compression driver on a 90 x 60 horn flare. The cabinet is part of the IS series which is aimed specifically at the Bar and Club installation market. The IS Series are available with a range of bracket options to aid installation and can also be ordered in special colours to fit the needs of the designers. Standard colours are black and white. The IS Series aims to bring both an audio and build quality that is not common at this price point. To this end all IS Series cabinets are constructed from birch ply and are rebated, glued and screwed.



Frequency Response:	<ul style="list-style-type: none"> • 60HZ-20KHZ
Components:	<ul style="list-style-type: none"> • Bass/mid: 8" cone driver • HF: 1" Compression driver
Power handling:	<ul style="list-style-type: none"> • 200w
Sensitivity (1):	<ul style="list-style-type: none"> • 96dB
Directivity:	<ul style="list-style-type: none"> • 90° x 60° above 2kHz
Impedance:	<ul style="list-style-type: none"> • 8 ohm nominal
Construction:	<ul style="list-style-type: none"> • 15mm Birch plywood
Finish:	<ul style="list-style-type: none"> • Water based textured black paint
Connections:	<ul style="list-style-type: none"> • 1 x Neutrik NL4 MPR • 1+/2+ = Positive Input 1-/2- = Negative Input
Dimensions:	<ul style="list-style-type: none"> • 250mm (W) x 425mm (H) x 275mm (D)
Packaged Dimensions (2):	<ul style="list-style-type: none"> • 380mm (W) x 580mm (H) x 740mm (D)
Weight:	<ul style="list-style-type: none"> • 12Kg

Cabinet	Handles	Tophat	M20 plate	Castors	Bracket Pt.	Inserts/Fly Points
IS8	No	No	No	No	Back/Side/Top	6 off M8 inserts

Note: (1) Sensitivity measured at 1 metre with 2.83V, using band limited pink noise.
(2) Please note that IS8 cabinets are supplied boxed in pairs.