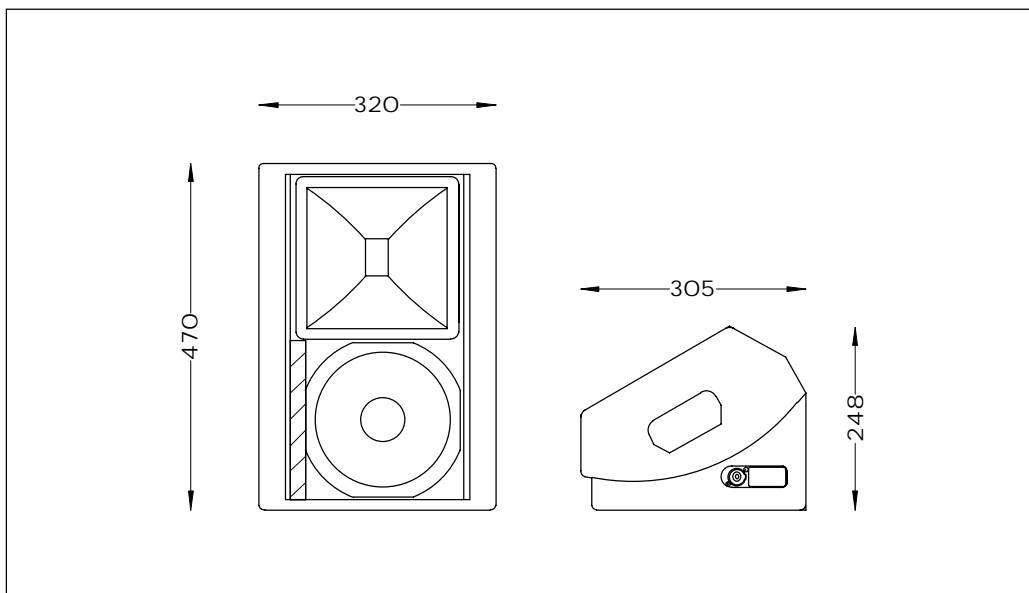


LM 8 – Technical Specifications (rev: 3 09/09/04)

Description:	<ul style="list-style-type: none"> • A compact, passive, multi-functional stage monitor
Frequency Response:	<ul style="list-style-type: none"> • 60Hz – 18kHz
Components:	<ul style="list-style-type: none"> • Bass/mid: 8" cone driver • HF: 1" exit compression driver on CD flare
Power handling:	<ul style="list-style-type: none"> • 150w
Sensitivity (1):	<ul style="list-style-type: none"> • 96dB
Directivity:	<ul style="list-style-type: none"> • 90° x 60° above 2kHz
Construction:	<ul style="list-style-type: none"> • 15mm Birch plywood
Finish:	<ul style="list-style-type: none"> • Water based textured black paint
Connections:	<ul style="list-style-type: none"> • 2 x Neutrik NL4 connectors • 1+/1- Input 2+/2- No connection
Dimensions:	<ul style="list-style-type: none"> • 320mm (W) x 470mm (H) x 268 mm (D)
Packaged Dimensions (2):	<ul style="list-style-type: none"> • 655mm (W) x 415mm (H) x 600mm (D)
Impedance:	<ul style="list-style-type: none"> • 8 ohms nominal
Weight:	<ul style="list-style-type: none"> • 12 Kg

Note: (1) Sensitivity measured at 1 metre with 2.83V, using band limited pink noise.
(2) Please note this product is boxed in pairs.



LM 8 Options

Cabinet	Code	Handles	Tophat	M20 plate	M20 blank	Castors	Bracket	Inserts/Fly Points
LM 8	LS 4080	1 off	Yes	No	No	No	No	No