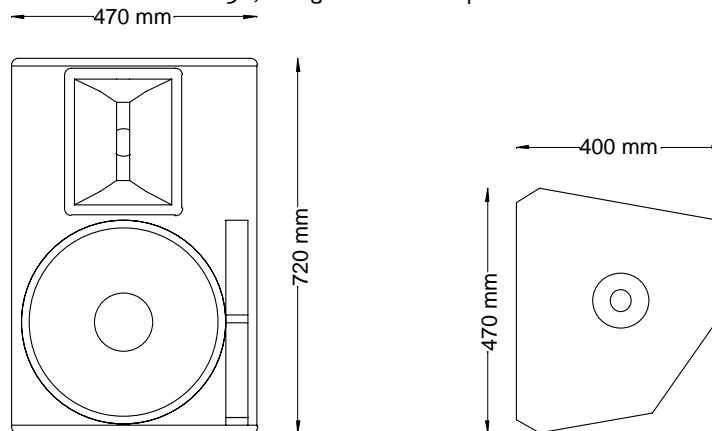


LS 152 – Technical Specifications (rev2 01/05/01)

Description:	<ul style="list-style-type: none"> • A high power, extended response, sound reinforcement enclosure. • Available as passive, switchable or active only. • Rotatable HF horn.
Frequency Response:	<ul style="list-style-type: none"> • 45Hz – 16kHz
Components:	<ul style="list-style-type: none"> • Bass/mid: 15” cone driver • HF: 2” exit compression driver mounted on CD horn
Power handling:	<ul style="list-style-type: none"> • Bass/mid: 600w • HF: 75w
Sensitivity (1):	<ul style="list-style-type: none"> • Bass/mid: 96dB • HF: 106dB
Directivity:	<ul style="list-style-type: none"> • 90H x 40V above 1kHz
Construction:	<ul style="list-style-type: none"> • 15 mm Birch plywood
Finish:	<ul style="list-style-type: none"> • Water based textured black paint (M-Spec and T-Spec) • Royal Blue carpet (R-Spec)
Connections:	<ul style="list-style-type: none"> • 2 x Neutrik NL4 connectors • Passive: 1+/1- Input 2+/2- No connection • Active: 1+/1- Mid/Bass 2+/2- HF
Dimensions:	<ul style="list-style-type: none"> • 470mm (W) x 720mm (H) x 400mm (D)
Packaged Dimensions:	<ul style="list-style-type: none"> • 485mm (W) x 745mm (H) x 415mm(D)
Impedance:	<ul style="list-style-type: none"> • Bass/mid: 8 ohms nominal • HF: 8 ohms nominal
Weight:	<ul style="list-style-type: none"> • 36 Kg
Note: (1) Sensitivity measured at 1 metre with 2.83V, using band limited pink noise.	



LS 152 Options

Cabinet	Code	Spec.	Handles	Tophat	M2o plate	M2o Blank	Castors	Bracket	Inserts/Fly Points
LS152P	LS 2016	R-Spec	2 off	Yes	No	No	No	No	No
	LS 4016	M-Spec	2 off	Yes	No	No	No	No	6 off M10 inserts
LS152A/P	LS 2017	R-Spec	2 off	Yes	No	No	No	No	No
	LS 4017	M-Spec	2 off	Yes	No	No	No	No	6 off M10 inserts
	LS 6017	T-Spec	2 off	Yes	No	No	No	No	6 off Fly plates
LS152A	LS 2018	R-Spec	2 off	Yes	No	No	No	No	No
	LS 4018	M-Spec	2 off	Yes	No	No	No	No	6 off M10 inserts