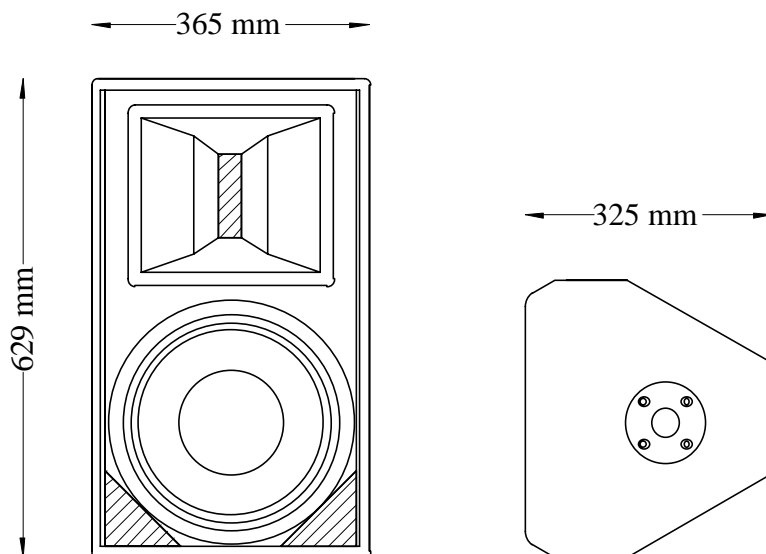


LS 12 – Technical Specifications (rev: 5 09/09/03)

Description:	<ul style="list-style-type: none"> • A compact, passive, full range sound reinforcement enclosure.
Frequency Response:	<ul style="list-style-type: none"> • 55Hz – 18kHz
Components:	<ul style="list-style-type: none"> • Bass/mid: 12" cone driver • HF: 2" exit compression driver
Power handling:	<ul style="list-style-type: none"> • 400w
Sensitivity (1):	<ul style="list-style-type: none"> • 101dB
Directivity:	<ul style="list-style-type: none"> • 60° x 40° above 1.2kHz
Construction:	<ul style="list-style-type: none"> • 15mm Birch plywood
Finish:	<ul style="list-style-type: none"> • Water based textured black paint
Connections:	<ul style="list-style-type: none"> • 2 x Neutrik NL4 connectors • 1+/1- Input 2+/2- No connection
Dimensions:	<ul style="list-style-type: none"> • 365mm (W) x 629mm (H) x 325mm (D)
Packaged Dimensions:	<ul style="list-style-type: none"> • 475mm (W) x 750mm (H) x 435mm (D)
Impedance:	<ul style="list-style-type: none"> • 8 ohms nominal
Weight:	<ul style="list-style-type: none"> • 27 Kg
Fittings:	<ul style="list-style-type: none"> • 4 x M8 inserts for Omnimount 120 top and back • 12 x M10 insert points

Note: (1) Sensitivity measured at 1 metre with 2.83V, using band limited pink noise.



LS 12 Options

Cabinet	Code	Handles	Tophat	M20 plate	M20 blank	Castors	Bracket	Inserts/Fly Points
LS 12	LS 4061	3 off	Yes	No	No	No	Yes	12 off M10 inserts