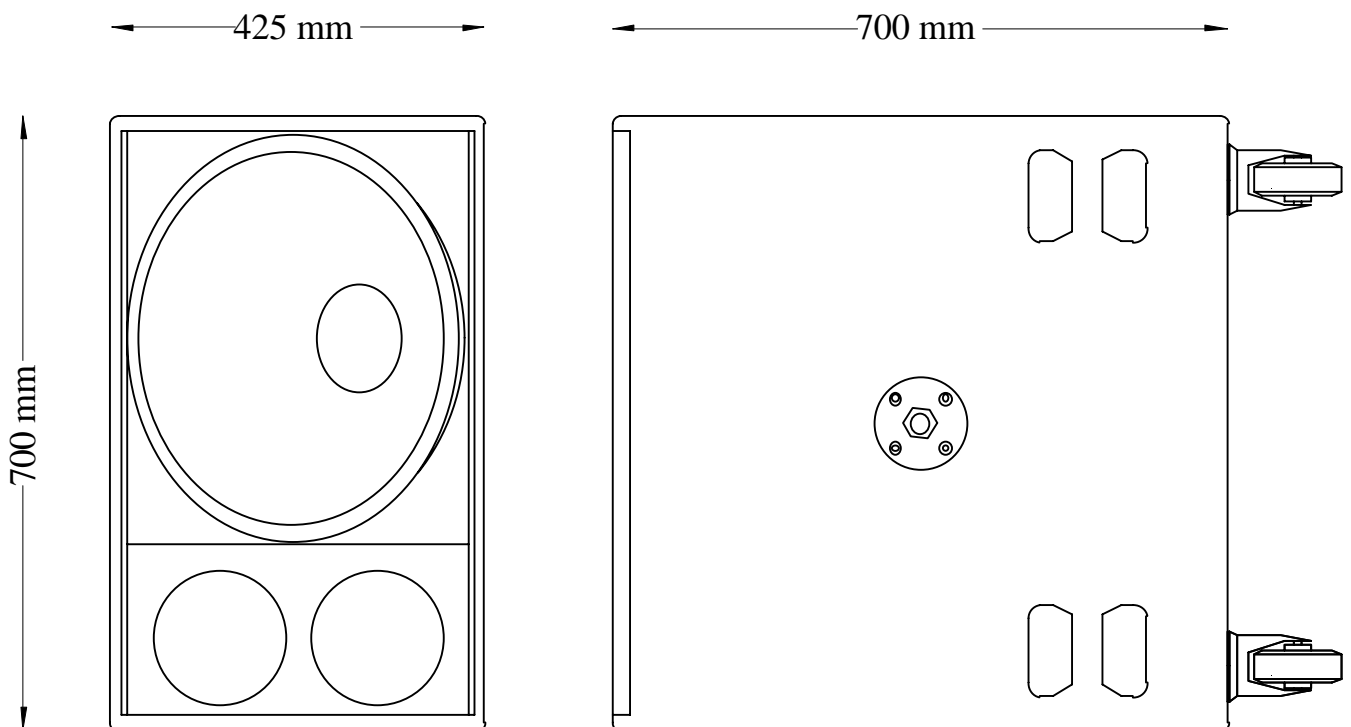


LS 180 – Technical Specifications (rev: 3 18/03/04)

Description:	<ul style="list-style-type: none"> • A high power, compact, bass enclosure. • Requires 6th order EQ for optimum bass performance. (Refer to DSP settings.)
Frequency Response:	<ul style="list-style-type: none"> • 40Hz – 150Hz
Components:	<ul style="list-style-type: none"> • Bass: 1 x 18" cone driver
Power handling:	<ul style="list-style-type: none"> • 1000w
Sensitivity (1):	<ul style="list-style-type: none"> • 98dB
Directivity:	<ul style="list-style-type: none"> • Omni-directional
Construction:	<ul style="list-style-type: none"> • 18 mm birch plywood
Finish:	<ul style="list-style-type: none"> • Water based textured black paint
Connections:	<ul style="list-style-type: none"> • 2 x Neutrik NL4 connectors (Main plate) • 1 x Neutrik NL4 connector (Bi-amp plate) • Main plate: 1+/1- Input 2+/2- Linked • Bi-amp plate: 1+/1- linked to 2+/2- main plate 2+/2- No connection
Dimensions:	<ul style="list-style-type: none"> • 700mm (W) x 425mm (H) x 700mm (D)
Packaged Dimensions:	<ul style="list-style-type: none"> • 715mm (W) x 450mm (H) x 715mm(D)
Impedance:	<ul style="list-style-type: none"> • 6 ohms
Weight:	<ul style="list-style-type: none"> • 60 Kg
Note: (1) Sensitivity measured at 1 metre with 2.83V, using band limited pink noise.	



LS 180 Options

Cabinet	Code	Spec.	Handles	Tophat	M20 plate	M20 Blank	Castors	Bracket	Inserts/Fly Points
LS 180	LS 4065	M-Spec	4 off	No	No	Yes x 2 off	No	No	No
LS180	LS 6065	T-Spec	4 off	No	Yes x 2 Off	No	Yes	No	No