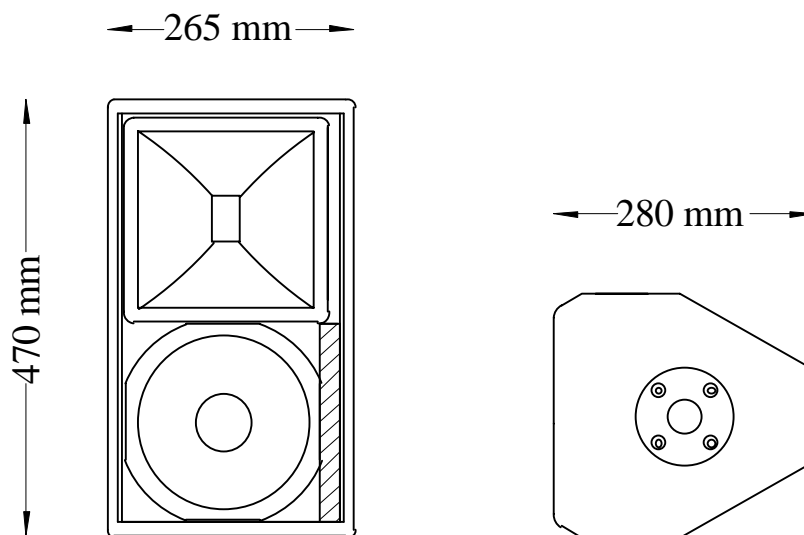


LS 8 – Technical Specifications (rev2 10/08/04)

Description:	• A compact, passive, full range sound reinforcement
Frequency Response:	• 60Hz – 18kHz
Components:	• Bass/mid: 8" cone driver • HF: 1" exit compression driver
Power handling:	• 150w
Sensitivity (1):	• 96dB
Directivity:	• 90° x 60° above 2kHz
Construction:	• 15mm Birch plywood
Finish:	• Water based textured black paint
Connections:	• 2 x Neutrik NL4 connectors • 1+/1- Input 2+/2- No connection
Dimensions:	• 265mm (W) x 470mm (H) x 280mm (D)
Packaged Dimensions (2):	• 680mm (W) x 590mm (H) x 390mm (D)
Impedance:	• 8 ohms nominal
Weight:	• 12 Kg
Fittings:	• 4 x M8 inserts for Omnimount 75 top and back • 6 x M10 insert points

Note: (1) Sensitivity measured at 1 metre with 2.83V, using band limited pink noise.
(2) Please note that LS8 cabinets are supplied boxed in pairs.



LS 8 Options

Cabinet	Code	Handles	Tophat	M20 plate	M20 blank	Castors	Bracket	Inserts/Fly Points
LS 8	LS 4063	1 off	Yes	No	No	No	Yes	6 off M10 inserts