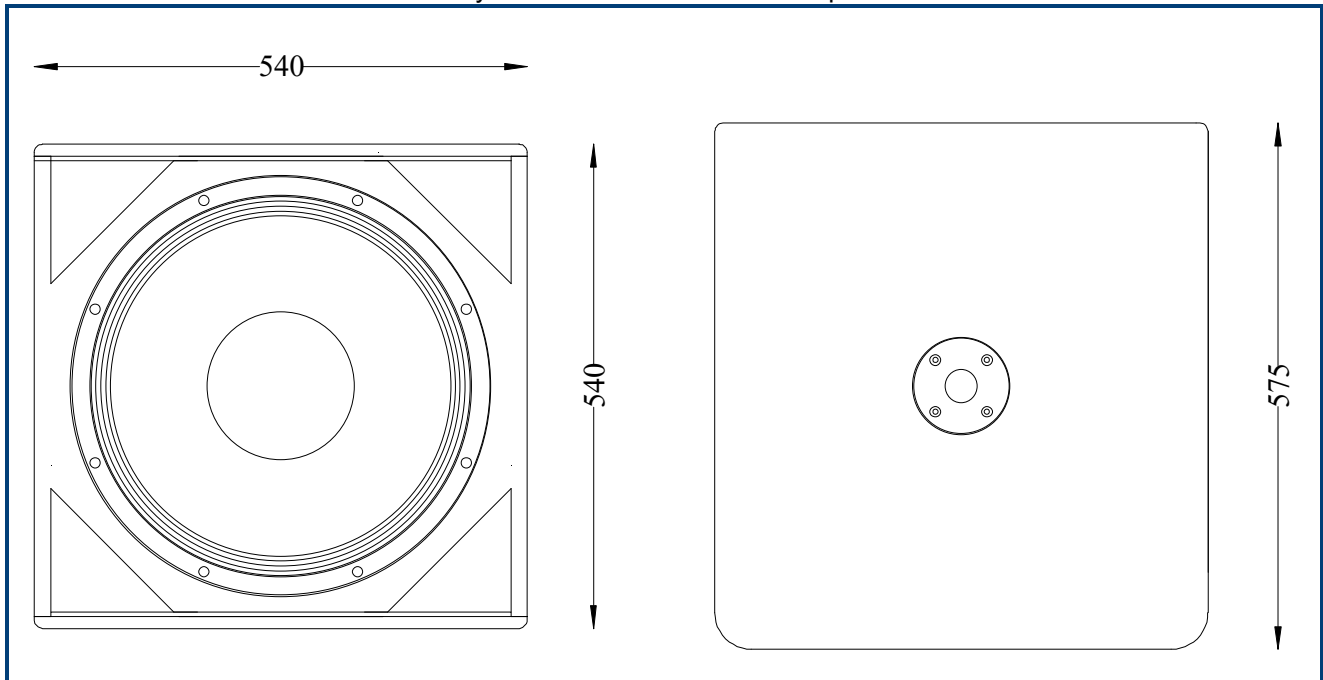


The Logic Systems ML118 is a compact high power sub/bass enclosure which features a direct radiating 18" high efficiency 4 ohm drive unit. The 18mm birch ply enclosure incorporates heavy duty castors, handles and an M20 plate to allow multi purpose use. The loudspeaker has been developed to augment the performance of the V Line MPLS 3.2, HPLS 4 and the MPPLS 4 products and also will form a powerful low frequency addition for the MLM10, MLM12 and MLM15 wedge monitor loudspeakers when they are used for 'front of house' or general music playback and voice applications.

The ML118 bass loudspeaker should be used with the Logic Systems LS125S limiter crossover when used with any of the new V Line and MLM products.



| | |
|-----------------------------|---|
| Frequency Response: | <ul style="list-style-type: none"> • 40Hz - 150Hz |
| Components: | <ul style="list-style-type: none"> • Bass: 1 x 18" cone driver • HF: N/A |
| Power handling: | <ul style="list-style-type: none"> • 1000w |
| Sensitivity (1): | <ul style="list-style-type: none"> • 97dB |
| Directivity: | <ul style="list-style-type: none"> • Omni-directional |
| Impedance: | <ul style="list-style-type: none"> • 4 Ohm |
| Construction: | <ul style="list-style-type: none"> • 18mm Birch plywood |
| Finish: | <ul style="list-style-type: none"> • Water based textured black paint |
| Connections: | <ul style="list-style-type: none"> • 2 x Neutrik NL4 connectors • 1+/1- Input 2+/2- linked. |
| Dimensions: | <ul style="list-style-type: none"> • 540mm (W) x 540mm (H) x 575mm (D) |
| Packaged Dimensions: | <ul style="list-style-type: none"> • 675mm (W) x 660mm (H) x 790mm(D) |
| Weight: | <ul style="list-style-type: none"> • 42Kg |

| Cabinet | Handles | Tophat | M20 | Castors | Bracket Pt. | Inserts/Fly Points |
|--------------|---------|--------|-----|---------|-------------|--------------------|
| ML118 | Yes | No | Yes | Yes | No | No |

Note: (1) Sensitivity measured at 1 metre with 2.83V, using band limited pink noise.