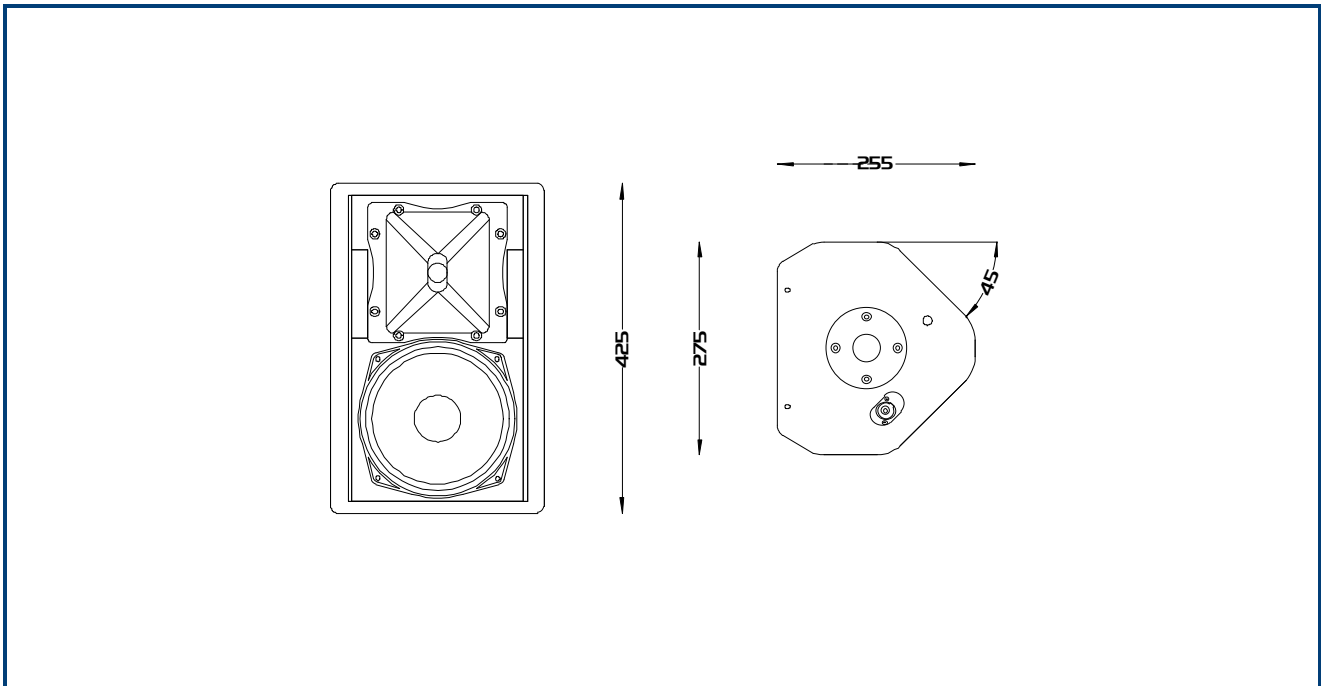




The ML8 is a compact, high power, multipurpose, fullrange loudspeaker enclosure. The cabinet combines an 8" neodymium mid/bass cone with a 1" compression driver on a 90° x 70° horn flare. The horn flare rotates to aid use in both landscape and portrait applications. The cabinet can be used Fullrange or combined with the B.5 bass enclosure to form an integrated system. The ML8 contains an internal passive crossover network. The multipurpose nature of the cabinet makes it suitable for a variety of applications including, FOH, monitoring, stage fills and delays. Target markets for the product include church, live sound, theatre and A/V.



<b>Frequency Response:</b>	• 70Hz – 20kHz
<b>Components:</b>	• Bass/mid: 8" Neodymium cone driver • HF: 1" exit compression driver
<b>Power handling:</b>	• 250w
<b>Sensitivity (1):</b>	• 97dB
<b>Directivity:</b>	• 90° x 70° above 2kHz
<b>Impedance:</b>	• 16 Ohm
<b>Construction:</b>	• 15mm Birch plywood
<b>Finish:</b>	• Water based textured black paint
<b>Connections:</b>	• 3 x Neutrik NL4 connectors • 1+/1- Input 2+/2- N/C.
<b>Dimensions:</b>	• 275mm (W) x 425mm (H) x 255mm (D)
<b>Packaged Dimensions (2):</b>	• 420mm (W) x 620mm (H) x 660mm (D)
<b>Weight:</b>	• 12 Kg

Cabinet	Handles	Tophat	M20	Castors	Bracket Pt.	Inserts/Fly Points
<b>ML8</b>	1 off	Yes	No	No	Top/Side	4 off

**Note:** (1) Sensitivity measured at 1 metre with 2.83V, using band limited pink noise.  
(2) Please note that ML8 cabinets are supplied boxed in pairs.