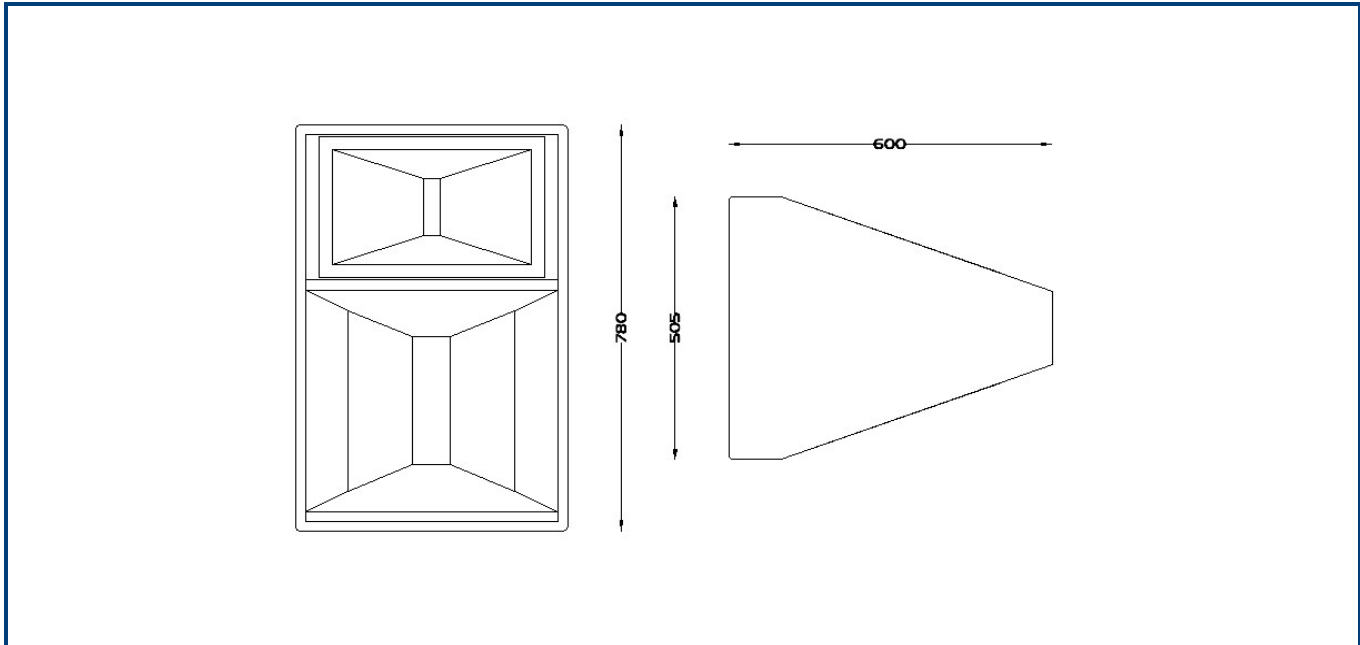




The Logic Systems Origin 1296Nd is designed to cater for the demands of the professional working musician. The Origin 1296Nd cabinet is a fully horn loaded three way mid/high enclosure. It features a Horn loaded Neo 12" cone driver covering the midrange band combined with a dual diaphragm coaxial Neo compression driver mounted on a 60 x 40 CD horn. The components are combined with an internal passive crossover, the cabinet comes finished in a hardwearing black painted finish and incorporates quick release fly points, Origin 1296Nd is designed to be used as part of an integrated system with the Origin B215 and Origin SB118 bass and sub/bass enclosures, forming a compact and versatile live sound FOH system. The Logic Systems DP2140 system controller contains presets for the bi-amp operation of Origin.



<b>Frequency Response:</b>	<ul style="list-style-type: none"> <li>• 150Hz – 20kHz</li> </ul>
<b>Components:</b>	<ul style="list-style-type: none"> <li>• Mid: Neo 12" cone driver</li> <li>• HF: Neo 2" exit co-entrant compression, coaxially mounted on CD</li> </ul>
<b>Power handling:</b>	<ul style="list-style-type: none"> <li>• 400w RMS</li> </ul>
<b>Sensitivity (1):</b>	<ul style="list-style-type: none"> <li>• 105dB</li> </ul>
<b>Directivity:</b>	<ul style="list-style-type: none"> <li>• 60° Horizontal x 40° Vertical above 600Hz.</li> </ul>
<b>Impedance:</b>	<ul style="list-style-type: none"> <li>• 8 Ohms nominal</li> </ul>
<b>Construction:</b>	<ul style="list-style-type: none"> <li>• 18mm Birch plywood</li> </ul>
<b>Finish:</b>	<ul style="list-style-type: none"> <li>• Water based textured black paint</li> </ul>
<b>Connections:</b>	<ul style="list-style-type: none"> <li>• 2 x Neutrik NL4 connectors</li> <li>• 1+/1- Linked 2+/2- Input</li> </ul>
<b>Dimensions:</b>	<ul style="list-style-type: none"> <li>• 505mm (W) x 780mm (H) x 600mm (D)</li> </ul>
<b>Packaged Dimensions:</b>	<ul style="list-style-type: none"> <li>• 520mm (W) x 805mm (H) x 615mm (D)</li> </ul>
<b>Weight:</b>	<ul style="list-style-type: none"> <li>• 40Kg</li> </ul>

Cabinet	Handles	Tophat	Mzo plate	Dolly	Bracket Pt.	Inserts/Fly Points
LSO1296ND	4 off	No	No	yes	Yes	Quick release fly points

**Note:** (1) Sensitivity measured at 1 metre with 2.83V, using band limited pink noise

E: sales@logicsystems.co.uk T: +44(0)1427 611791 w: www.logicsystems.co.uk