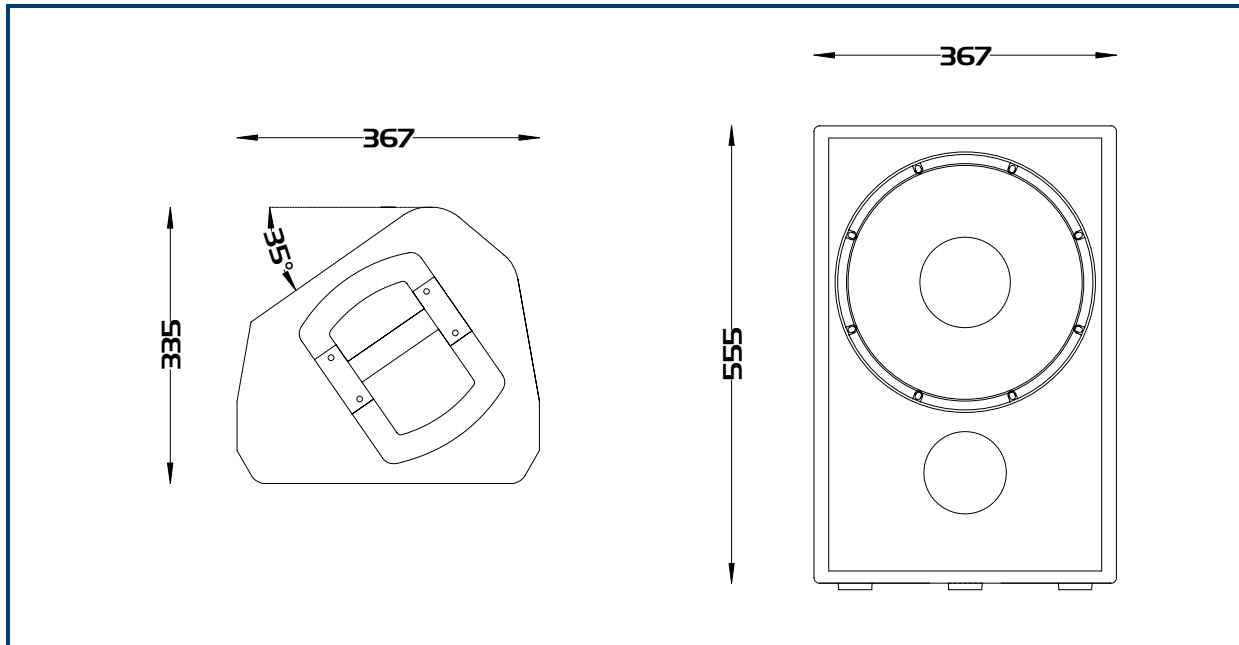




The Origin Series from Logic Systems is a range of state of the art Pro Audio products designed to fulfill the needs of the professional working musician. The Origin12A cabinet combines a 12” Neodymium Mid/Bass cone with a coaxially mounted 1.4” compression driver, which is actively driven by a built in dual channel, Class D power module with On board DSP which allows the selection of four operation modes which includes full range, full range with bass, mid top and monitor Wedge mode. The coaxial layout has many acoustic advantages, which include crystal clear vocal projection, a must in its target application, while neodymium driver technology helps to minimise the cabinet’s weight. The OriginB115A is the suggested bass companion. Discover ‘The difference is in the detail’, Origin from Logic Systems.



| | |
|-----------------------------|--|
| Frequency Response: | • 60Hz – 18kHz |
| Components: | • Bass/mid: 12” neodymium cone driver • HF: 1.4” exit neo compression driver, coaxially mounted |
| Power handling: | • Mid/Bass: 350w HF: 80w (Module: 2 x 750w @ 8 ohm.) |
| Sensitivity (1): | • 99dB |
| Directivity: | • 60° conical above 1kHz |
| Impedance: | • 8 Ohms nominal |
| Construction: | • 15mm Birch plywood |
| Finish: | • Water based textured black paint |
| Connections: | • 1 x IEC mains input. • XLR male/female balanced audio input/output. |
| Dimensions: | • 367mm (W) x 555mm (H) x 335mm (D) |
| Packaged Dimensions: | • 500mm (W) x 720mm (H) x 445mm (D) |
| Weight (Packaged): | • 17.5Kg (23Kg) |

| Cabinet | Handles | Tophat | M20 plate | Castors | Bracket Pt. | Inserts/Fly Points |
|---------|---------|--------|-----------|---------|-------------|--------------------|
| O12A | 2 off | Yes | No | No | No | No |

Note: (1) Sensitivity measured at 1 metre with 2.83V, using band limited pink noise

E: sales@logicsystems.co.uk T: +44(0)1427 611791 w: www.logicsystems.co.uk