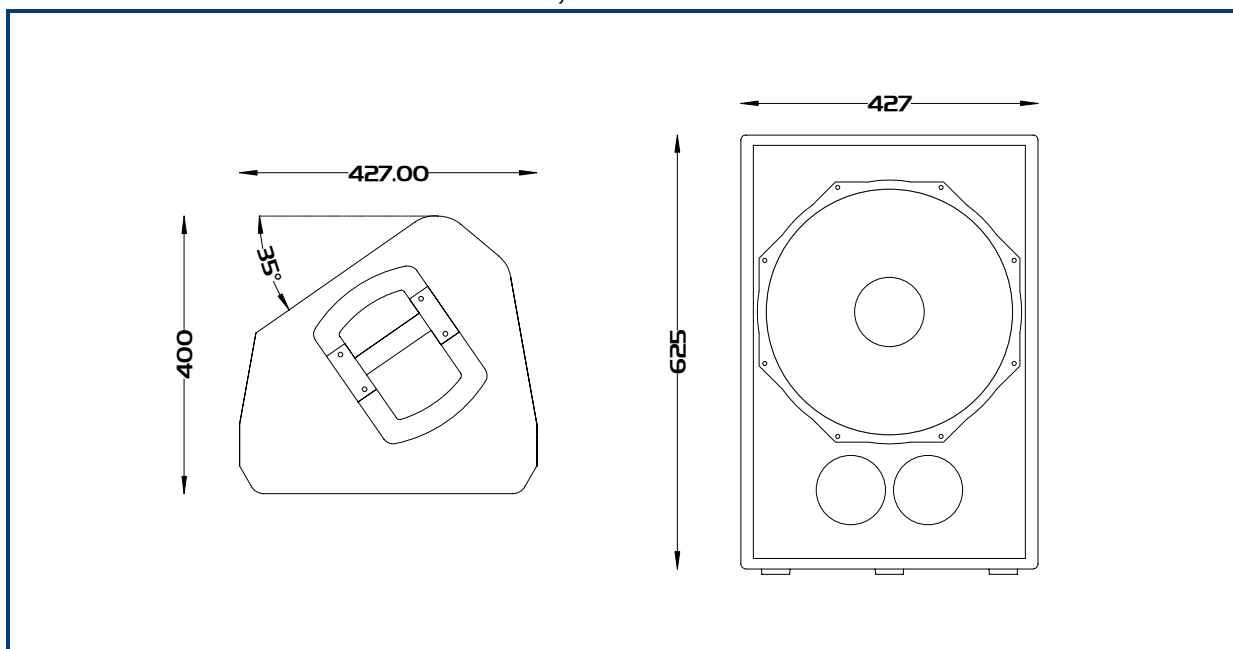




The Origin Series from Logic Systems is a range of state of the art Pro Audio products designed to fulfill the needs of the professional working musician. The Origin 15 cabinet combines a 15” Neodymium Mid/Bass cone with a coaxially mounted 1.4” compression driver, which is passively crossed over. The coaxial layout has many acoustic advantages, which include crystal clear vocal projection, a must in its target application. Neodymium driver technology also helps to minimise the cabinet’s weight, while to aid functionality the cabinet can be used in monitor or front of house applications. The Origin 15 can be used free standing, has the option of a self powered version the Origin 15A, or can be combined with the Origin SB118 bass enclosure as a full range integrated system. Discover ‘The difference is in the detail’, Origin from Logic Systems.



Frequency Response:	• 55Hz – 18kHz
Components:	• Bass/mid: 15” neodymium cone driver • HF: 1.4” exit compression driver, coaxially mounted
Power handling:	• 600w
Sensitivity (1):	• 99dB
Directivity:	• 60° conical above 1kHz
Impedance:	• 8 Ohms nominal
Construction:	• 15mm Birch plywood
Finish:	• Water based textured black paint
Connections:	• 2 x Neutrik NL4 connectors • 1+/1- Input 2+/2- no connection
Dimensions:	• 427mm (W) x 625mm (H) x 400mm (D)
Packaged Dimensions:	• 580mm (W) x 790mm (H) x 530mm (D)
Weight (Packaged):	• 23Kg (29Kg)

Cabinet	Handles	Tophat	M2o plate	Castors	Bracket Pt.	Inserts/Fly Points
O15	2 off	Yes	No	No	No	No

Note: (1) Sensitivity measured at 1 metre with 2.83V, using band limited pink noise