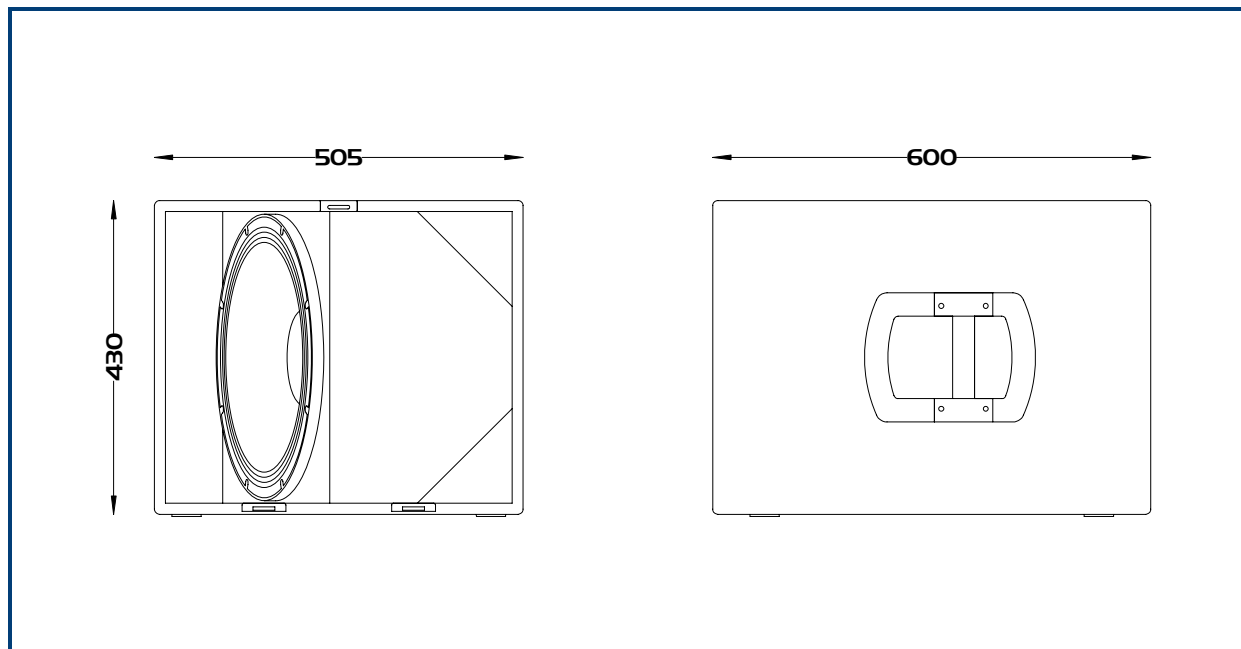




The Origin Series from Logic Systems is a range of state of the art Pro Audio products designed to fulfill the needs of the professional working musician. The Origin B115A utilises a long excursion 15" bass cone which is mounted in a compact dual vented band pass enclosure. The bass cone is driven actively by its own integrated amplifier channel; while performance is optimised by the onboard DSP control which ensures an incredibly linear frequency response. The high power bass driver and state of the art electronics add up to an easy to manage cabinet which delivers tight and detailed bass extension.
Discover 'The difference is in the detail', Origin from Logic Systems.



Frequency Response:	• 45Hz – 150Hz
Components:	• Bass: 15" cone driver
Power handling:	• 700W
Sensitivity (1):	• 96dB
Directivity:	• Omni-directional
Impedance:	• 8 Ohm
Construction:	• 15mm Birch plywood
Finish:	• Water based textured black paint
Connections:	• 2 x Neutrik Powercon mains input/output. • XLR input and output.
Dimensions:	• 505mm (W) x 430mm (H) x 600mm (D)
Packaged Dimensions:	• 560mm (W) x 750mm (H) x 635mm (D)
Weight (Packaged):	• 36Kg (Dolly 6 Kg)

Cabinet	Handles	Tophat	M20 plate	Dolly	Bracket Pt.	Inserts/Fly Points
OB115A	2 off	No	Yes	Yes	No	No

Note: (1) Sensitivity measured at 1 metre with 2.83V, using band limited pink noise.