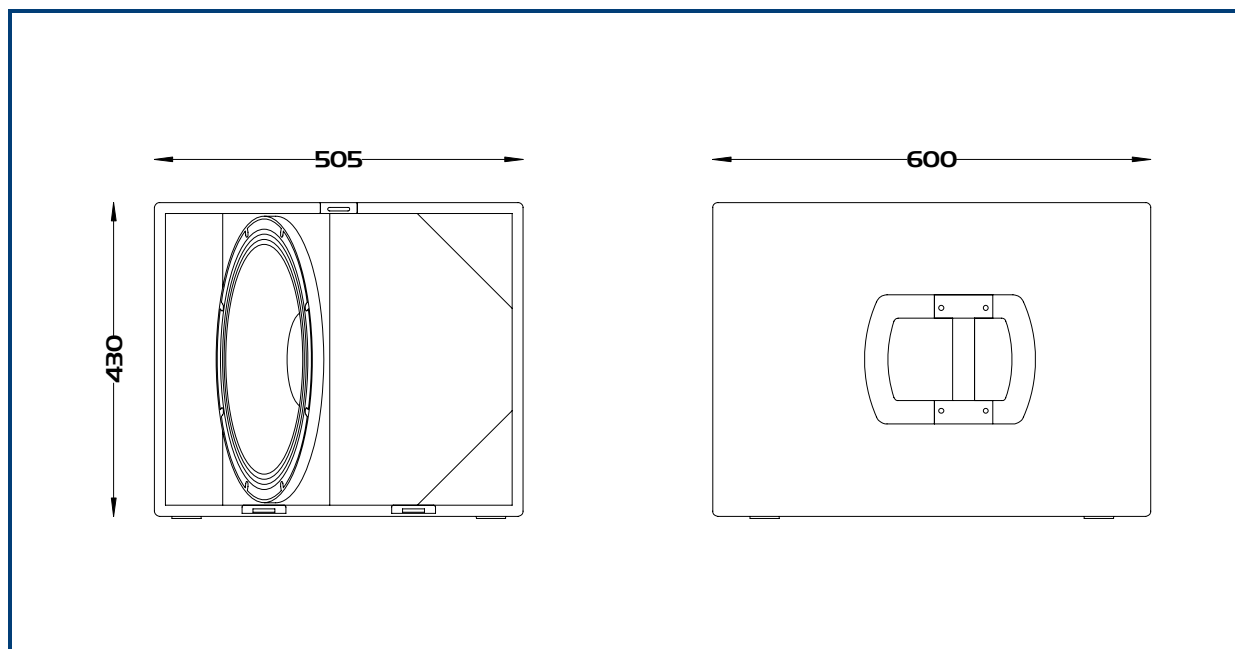




The Origin Series from Logic Systems is a range of state of the art Pro Audio products designed to fulfill the needs of the professional working musician. The Origin B115 cabinet uses, a long excursion 15” Bass cone mounted in a dual vented band pass enclosure, a technique that enhances SPL over the cabinets operating band. The cabinet is designed to be used as part of a system with the Origin 12 enclosure, although is also compatible with the Origin 15 enclosure. The Logic DP2140 is available to provide system control for the cabinet and aid system integration. Alternatively there is a self powered version available, which features on board DSP. Discover ‘The difference is in the detail’, Origin from Logic Systems.



Frequency Response:	• 45Hz – 150Hz
Components:	• Bass: 15” cone driver
Power handling:	• 700w
Sensitivity (1):	• 96dB
Directivity:	• Omni-directional
Impedance:	• 8 Ohm
Construction:	• 15mm Birch plywood
Finish:	• Water based textured black paint
Connections:	• 2 x Neutrik NL4 connectors • 1+/1- Input 2+/2- no connection
Dimensions:	• 505mm (W) x 430mm (H) x 600mm (D)
Packaged Dimensions:	• 560mm (W) x 750mm (H) x 635mm (D)
Weight (Packaged):	• 36Kg (Dolly 6 Kg)

Cabinet	Handles	Tophat	M2o plate	Dolly	Bracket Pt.	Inserts/Fly Points
OB115	2 off	No	Yes	Yes	No	No

Note: (1) Sensitivity measured at 1 metre with 2.83V, using band limited pink noise.