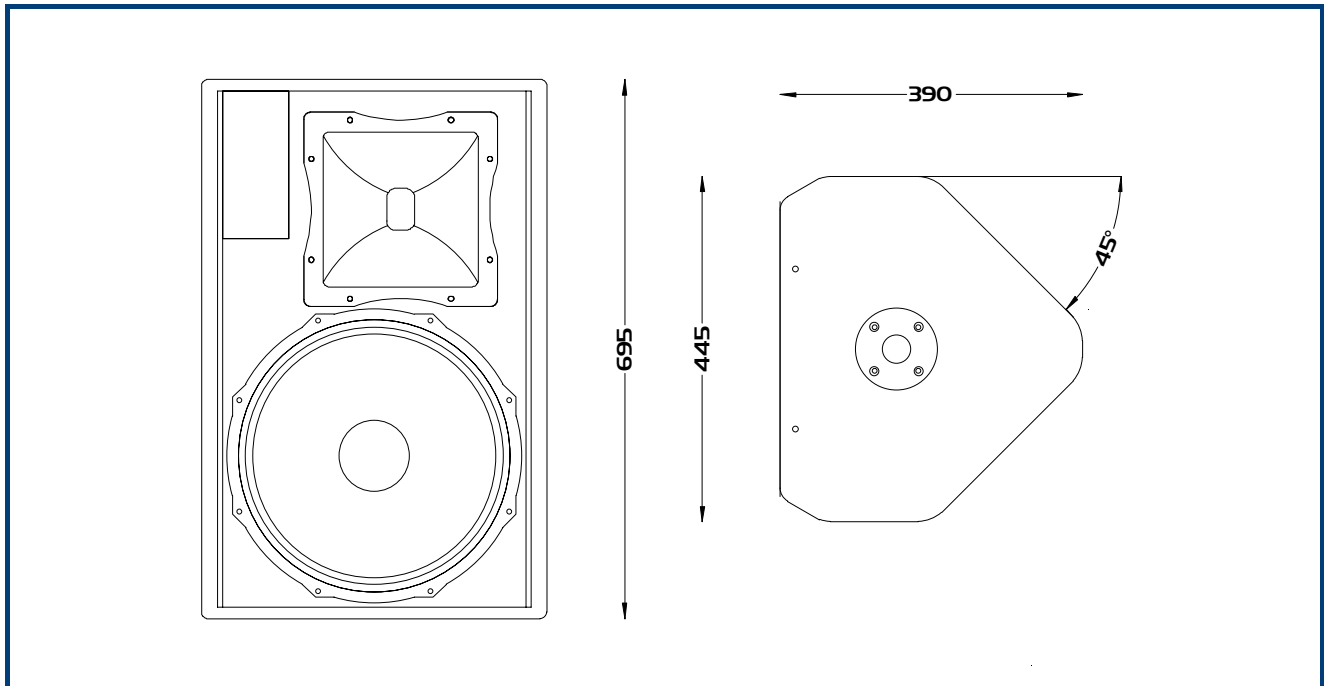




The Logic System XP15 is the first product in a range of state of the art self powered loudspeaker enclosures. The cabinet utilises an Ultra-light Neodymium mid bass cone which is combined with a 1.4” compression driver on a CD horn. Each component is driven actively by its own amplifier channel, while the electronics benefit from on board DSP control to ensure an incredibly linear frequency response. The lightweight components and electronics add up to an easy to manage fullrange cabinet with excellent acoustic performance. XP15 delivers all the convenience expected from powered product, but with a level of build quality, reliability and sonic excellence that you expect from Logic System.



Frequency Response:	• 50Hz – 20kHz
Components:	• Bass/mid: 15” Ultra-light Neodymium cone driver • HF: 1.4” compression driver on CD flare
Power handling:	• 600W
Sensitivity (1):	• 100dB
Directivity:	• 90° x 40° above 1kHz
Impedance:	• 8 Ohm
Construction:	• 15mm Birch plywood
Finish:	• Water based textured black paint
Connections:	• 1 x Neutrik Powercon mains input. • XLR male/female audio input/output.
Dimensions:	• 445mm (W) x 695mm (H) x 390mm (D)
Packaged Dimensions:	• 580mm (W) x 855mm (H) x 505mm (D)
Weight:	• 25 Kg

Cabinet	Handles	Tophat	Mzo plate	Castors	Bracket Pt.	Inserts/Fly Points
XP15	2 off	Yes	No	No	No	N/A

Note: (1) Sensitivity measured at 1 metre with 2.83V, using band limited pink noise.