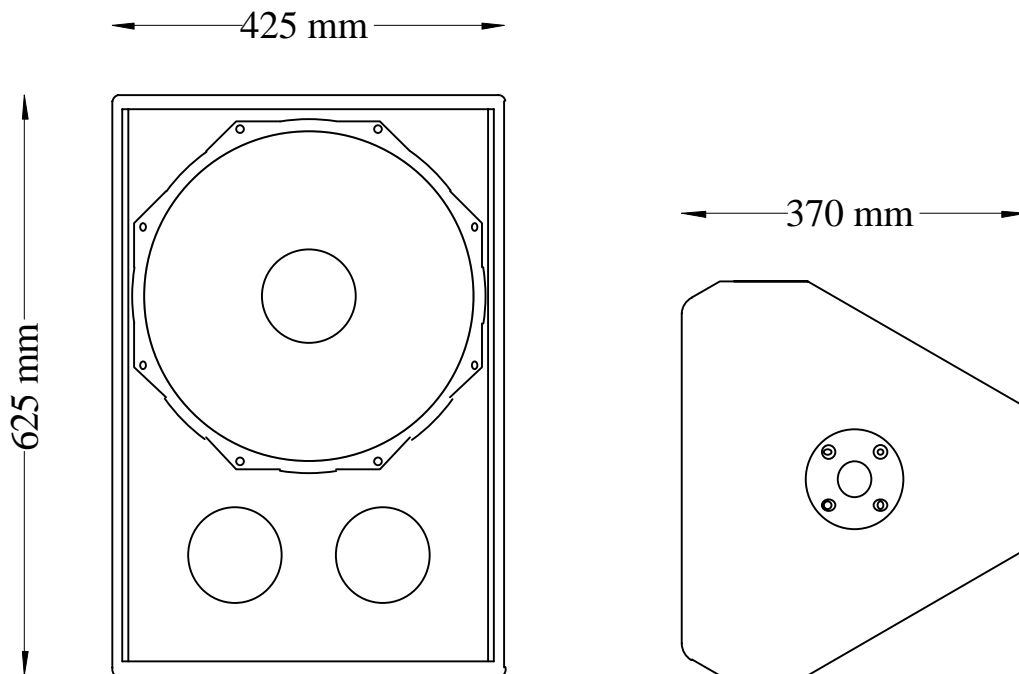


X 15 – Technical Specifications (rev1 23/07/02)

Description:	<ul style="list-style-type: none"> • A compact, passive, full range sound reinforcement enclosure.
Frequency Response:	<ul style="list-style-type: none"> • 58Hz – 18kHz
Components:	<ul style="list-style-type: none"> • Bass/mid: 15" cone driver • HF: 1" exit compression driver, coaxially mounted
Power handling:	<ul style="list-style-type: none"> • 500w
Sensitivity (1):	<ul style="list-style-type: none"> • 99dB
Directivity:	<ul style="list-style-type: none"> • 60° conical above 1kHz
Construction:	<ul style="list-style-type: none"> • 15mm Birch plywood
Finish:	<ul style="list-style-type: none"> • Water based textured black paint.
Connections:	<ul style="list-style-type: none"> • 4 x Neutrik NL4 connectors • 1+/- Input 2+/- No connection
Dimensions:	<ul style="list-style-type: none"> • 425mm (W) x 625mm (H) x 370mm (D)
Packaged Dimensions:	<ul style="list-style-type: none"> • 440mm (W) x 650mm (H) x 385mm (D)
Impedance:	<ul style="list-style-type: none"> • 8 ohms nominal
Weight:	<ul style="list-style-type: none"> • 29 Kg

Note: (1) Sensitivity measured at 1 metre with 2.83V, using band limited pink noise.



X 15 Options

Cabinet	Code	Spec.	Handles	Tophat	M20 plate	M20 Blank	Castors	Bracket	Inserts/Fly Points
X15	LS 4068	M-Spec	2 off	Yes	No	No	No	No	No