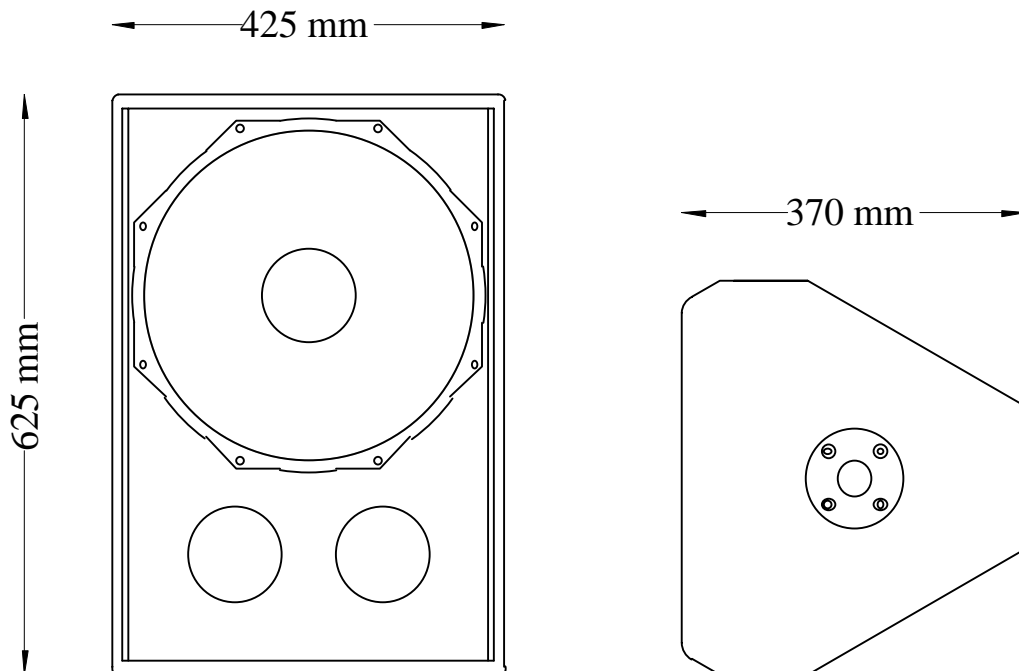


## X 15 mk2- Technical Specifications (rev: 1 23/11/04)

<b>Description:</b>	<ul style="list-style-type: none"> <li>• A compact, passive, full range sound reinforcement enclosure.</li> </ul>
<b>Frequency Response:</b>	<ul style="list-style-type: none"> <li>• 58Hz – 18kHz</li> </ul>
<b>Components:</b>	<ul style="list-style-type: none"> <li>• Bass/mid: 15" neodymium cone driver</li> <li>• HF: 1.4" exit compression driver, coaxially mounted</li> </ul>
<b>Power handling:</b>	<ul style="list-style-type: none"> <li>• 600w</li> </ul>
<b>Sensitivity (1):</b>	<ul style="list-style-type: none"> <li>• 99dB</li> </ul>
<b>Directivity:</b>	<ul style="list-style-type: none"> <li>• 60° conical above 1kHz</li> </ul>
<b>Construction:</b>	<ul style="list-style-type: none"> <li>• 15mm Birch plywood</li> </ul>
<b>Finish:</b>	<ul style="list-style-type: none"> <li>• Water based textured black paint.</li> </ul>
<b>Connections:</b>	<ul style="list-style-type: none"> <li>• 4 x Neutrik NL4 connectors</li> <li>• 1+/- Input 2+/- No connection</li> </ul>
<b>Dimensions:</b>	<ul style="list-style-type: none"> <li>• 425mm (W) x 625mm (H) x 370mm (D)</li> </ul>
<b>Packaged Dimensions:</b>	<ul style="list-style-type: none"> <li>• 440mm (W) x 650mm (H) x 385mm (D)</li> </ul>
<b>Impedance:</b>	<ul style="list-style-type: none"> <li>• 8 ohms nominal</li> </ul>
<b>Weight:</b>	<ul style="list-style-type: none"> <li>• 27 Kg</li> </ul>

**Note:** (1) Sensitivity measured at 1 metre with 2.83V, using band limited pink noise.

(2) Mk2 cabinets can be identified from the Logic Logo routed on the cabinet sides.



### X 15 mk2 Options

Cabinet	Code	Handles	Tophat	M20 plate	M20 Blank	Castors	Bracket	Inserts/Fly Points
X15 mk2	LS 4068	2 off	Yes	No	No	No	No	No