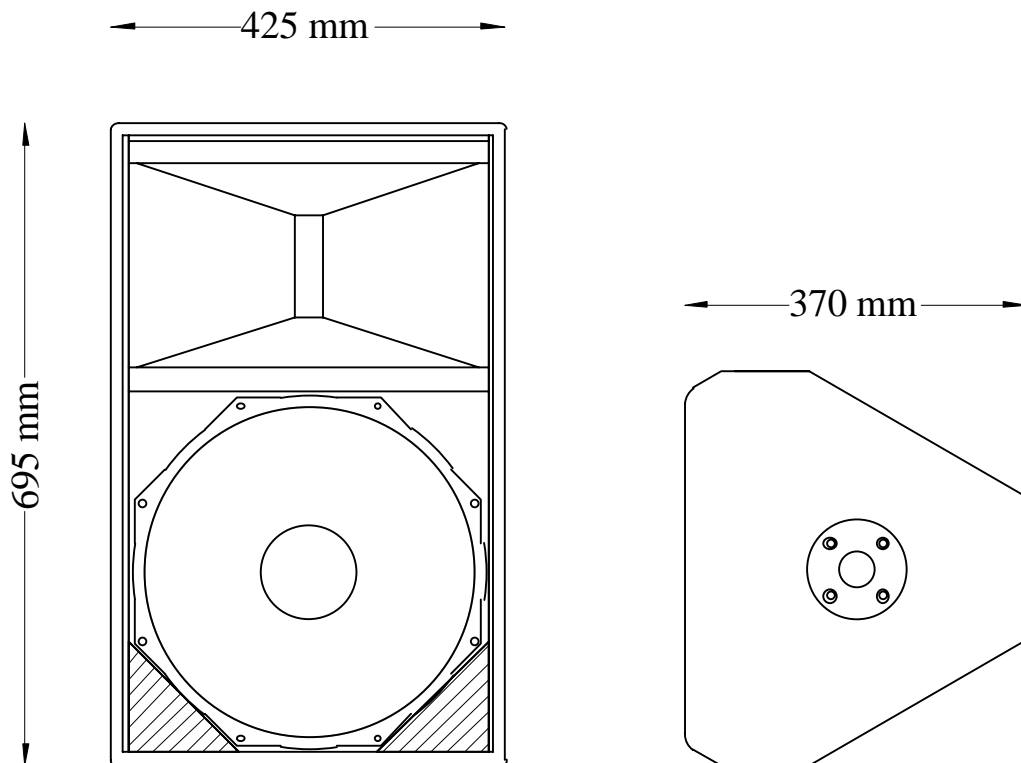


X 30 – Technical Specifications (revI 23/07/02)

Description:	<ul style="list-style-type: none"> • A compact, passive, full range sound reinforcement enclosure.
Frequency Response:	<ul style="list-style-type: none"> • 55Hz – 18kHz
Components:	<ul style="list-style-type: none"> • Bass/mid: 15" cone driver • HF: 2" exit compression driver
Power handling:	<ul style="list-style-type: none"> • 500w
Sensitivity (1):	<ul style="list-style-type: none"> • 100dB
Directivity:	<ul style="list-style-type: none"> • 90° x 40° above 1.2kHz
Construction:	<ul style="list-style-type: none"> • 15mm Birch plywood
Finish:	<ul style="list-style-type: none"> • Water based textured black paint (M-Spec)
Connections:	<ul style="list-style-type: none"> • 2 x Neutrik NL4 connectors • 1+/1- Input 2+/2- No connection
Dimensions:	<ul style="list-style-type: none"> • 425mm (W) x 695mm (H) x 370mm (D)
Packaged Dimensions:	<ul style="list-style-type: none"> • 440mm (W) x 720mm (H) x 385mm (D)
Impedance:	<ul style="list-style-type: none"> • 8 ohms nominal
Weight:	<ul style="list-style-type: none"> • 31 Kg

Note: (1) Sensitivity measured at 1 metre with 2.83V, using band limited pink noise.



X 30 Options

Cabinet	Code	Spec.	Handles	Tophat	M20 plate	M20 blank	Castors	Bracket	Inserts/Fly Points
X 30	LS 4070	M-Spec	2 off	Yes	No	No	No	No	No