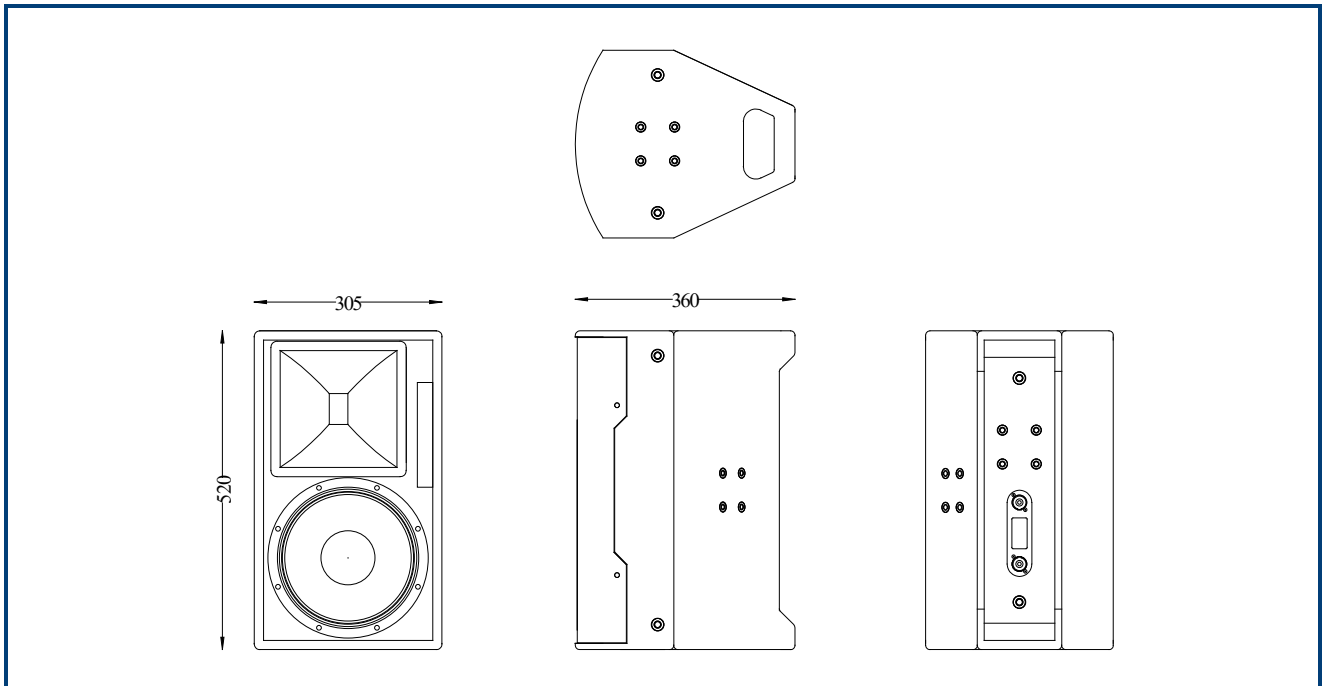




The Notion 10 is a compact, high power, fullrange loudspeaker enclosure. The cabinet combines a 10" neodymium mid/bass cone with a 1" neodymium compression driver on a 90° x 75° horn flare. The horn flare rotates to aid use in both landscape and portrait applications. The cabinet can be used Fullrange or combined with the NB12 or NB15 bass enclosures to form an integrated system. The Notion 10 contains an internal passive crossover network. The multipurpose nature of the cabinet makes it suitable for a variety of applications including FOH, stage fills and delays. Target markets for the product include church, live sound, theatre, installation and A/V.



Frequency Response:	• 55Hz – 20kHz
Components:	• Bass/mid: 10" Neodymium cone driver • HF: 1" exit Neodymium compression driver
Power handling:	• 400w
Sensitivity (1):	• 96dB
Directivity:	• 90° x 75° above 1.5kHz
Impedance:	• 8 Ohm
Construction:	• 15mm Birch plywood
Finish:	• Water based textured black paint
Connections:	• 2 x Neutrik NL4 connectors • 1+/1- Input 2+/2- N/C.
Dimensions:	• 305mm (W) x 520mm (H) x 360mm (D)
Packaged Dimensions (2):	• 840mm (W) x 680mm (H) x 420mm (D)
Weight:	• 16 Kg

Cabinet	Handle	Tophat	M20	Castors	Bracket Pt.	Inserts/Fly Points
Notion 10	2 off	Yes	No	No	Top/Side/Rear	10 off

Note: (1) Sensitivity measured at 1 metre with 2.83V, using band limited pink noise.
(2) Please note that N10 cabinets are supplied boxed in pairs.