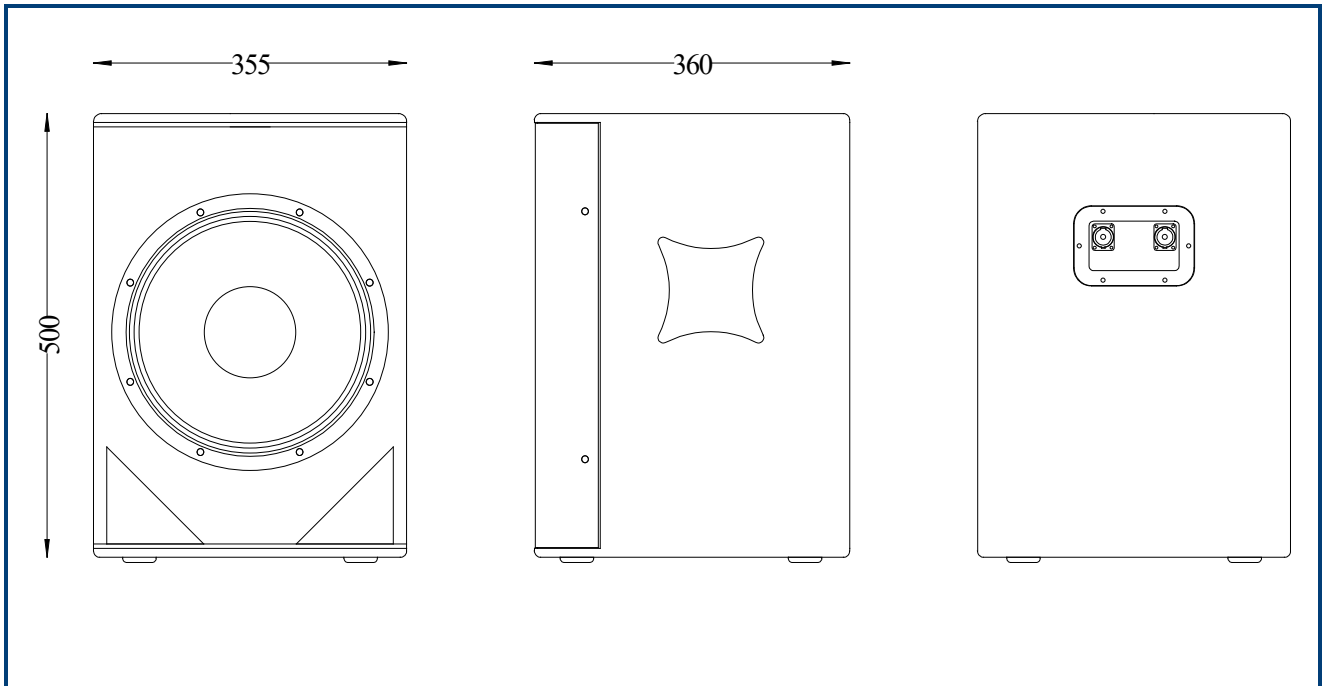




The Logic Systems Notion B12 is a compact, high power, bass enclosure which features a direct radiating 12" bass driver. The Notion B12 was designed to be used as an integrated system with the Notion N8 or N10 enclosure, but also has applications as a compact bin for installation.



Frequency Response:	<ul style="list-style-type: none"> • 50Hz – 150Hz
Components:	<ul style="list-style-type: none"> • Bass: 12" cone driver • HF: N/A
Power handling:	<ul style="list-style-type: none"> • 500w
Sensitivity (1):	<ul style="list-style-type: none"> • 97.5dB
Directivity:	<ul style="list-style-type: none"> • Omni-directional
Impedance:	<ul style="list-style-type: none"> • 8 Ohm
Construction:	<ul style="list-style-type: none"> • 15mm Birch plywood
Finish:	<ul style="list-style-type: none"> • Water based textured black paint
Connections:	<ul style="list-style-type: none"> • 2 x Neutrik NL4 connectors • 1+/1- Input 2+/2- linked.
Dimensions:	<ul style="list-style-type: none"> • 355mm (W) x 500mm (H) x 360mm (D)
Packaged Dimensions:	<ul style="list-style-type: none"> • 490mm (W) x 670mm (H) x 490mm(D)
Weight:	<ul style="list-style-type: none"> • 21 Kg

Cabinet	Handles	Tophat	M20	Castors	Bracket Pt.	Inserts/Fly Points
NB12	2 off	No	Yes	No	N/A	N/A

Note: (1) Sensitivity measured at 1 metre with 2.83V, using band limited pink noise.