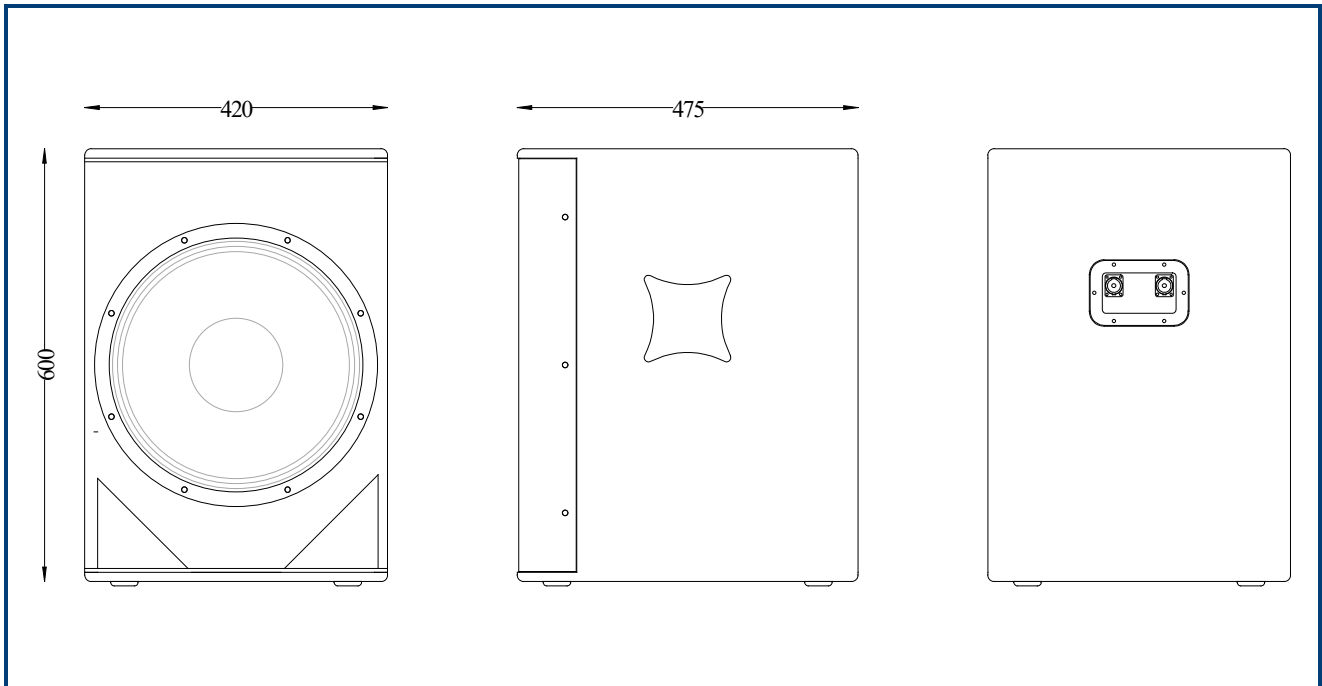




The Logic Systems Notion B15 is a compact, high power, bass enclosure which features a direct radiating 15" bass driver. The Notion B15 was designed to be used as an integrated system with the Notion N10 or N12 enclosure, but also has applications as a compact bin for installation.



<b>Frequency Response:</b>	<ul style="list-style-type: none"> <li>• 40Hz – 150Hz</li> </ul>
<b>Components:</b>	<ul style="list-style-type: none"> <li>• Bass: 15" cone driver</li> <li>• HF: N/A</li> </ul>
<b>Power handling:</b>	<ul style="list-style-type: none"> <li>• 700w</li> </ul>
<b>Sensitivity (1):</b>	<ul style="list-style-type: none"> <li>• 96dB</li> </ul>
<b>Directivity:</b>	<ul style="list-style-type: none"> <li>• Omni-directional</li> </ul>
<b>Impedance:</b>	<ul style="list-style-type: none"> <li>• 8 Ohm</li> </ul>
<b>Construction:</b>	<ul style="list-style-type: none"> <li>• 18mm Birch plywood</li> </ul>
<b>Finish:</b>	<ul style="list-style-type: none"> <li>• Water based textured black paint</li> </ul>
<b>Connections:</b>	<ul style="list-style-type: none"> <li>• 2 x Neutrik NL4 connectors</li> <li>• 1+/1- Input 2+/2- linked.</li> </ul>
<b>Dimensions:</b>	<ul style="list-style-type: none"> <li>• 420mm (W) x 600mm (H) x 475mm (D)</li> </ul>
<b>Packaged Dimensions:</b>	<ul style="list-style-type: none"> <li>• 560mm (W) x 750mm (H) x 560mm(D)</li> </ul>
<b>Weight:</b>	<ul style="list-style-type: none"> <li>• 31 Kg</li> </ul>

Cabinet	Handles	Tophat	M20	Castors	Bracket Pt.	Inserts/Fly Points
<b>NB15</b>	2 off	No	Yes	No	N/A	N/A

**Note:** (1) Sensitivity measured at 1 metre with 2.83V, using band limited pink noise.