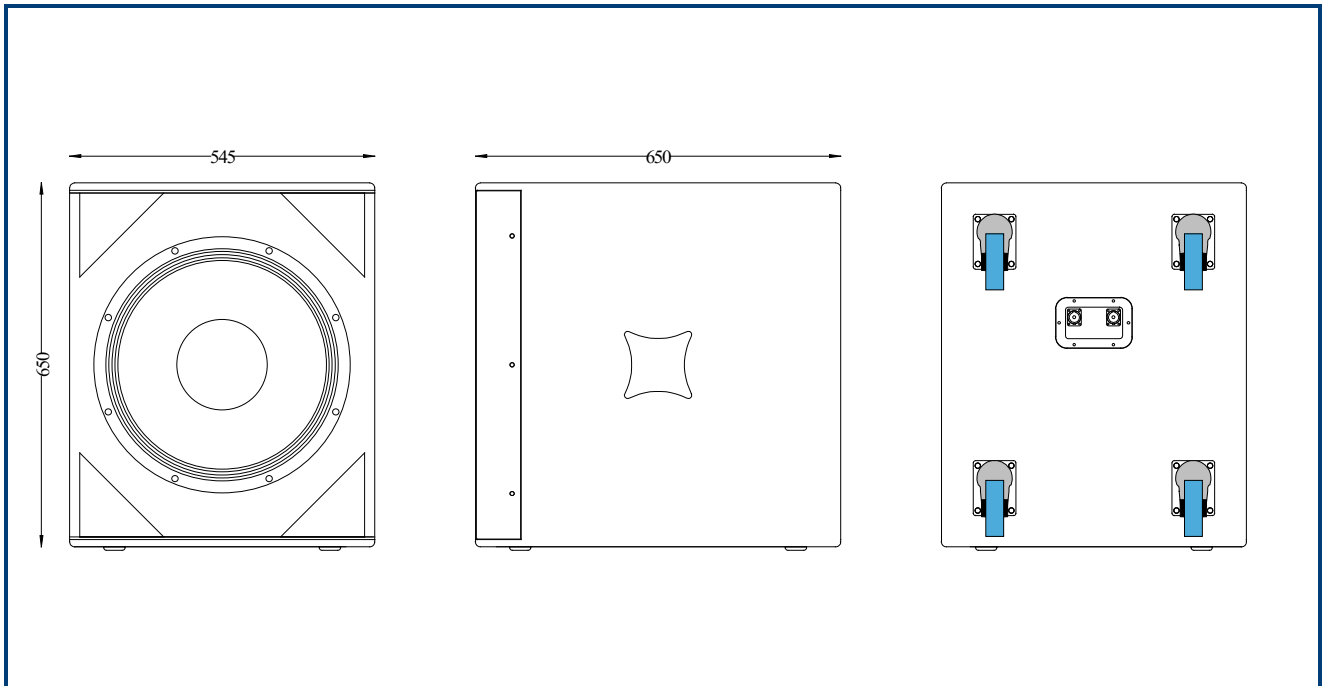




The Logic Systems Notion B18 is a compact, high power, bass enclosure which features a direct radiating 18" neodymium bass driver. The Notion B18 was designed to be used as an integrated system with the Notion N12 or N14 enclosure, but also has applications as a compact bin for installation.



Frequency Response:	<ul style="list-style-type: none"> • 35Hz – 150Hz
Components:	<ul style="list-style-type: none"> • Bass: 18" neodymium cone driver • HF: N/A
Power handling:	<ul style="list-style-type: none"> • 1200w
Sensitivity (1):	<ul style="list-style-type: none"> • 98dB
Directivity:	<ul style="list-style-type: none"> • Omni-directional
Impedance:	<ul style="list-style-type: none"> • 8 Ohm
Construction:	<ul style="list-style-type: none"> • 18mm Birch plywood
Finish:	<ul style="list-style-type: none"> • Water based textured black paint
Connections:	<ul style="list-style-type: none"> • 2 x Neutrik NL4 connectors • 1+/1- Input 2+/2- linked.
Dimensions:	<ul style="list-style-type: none"> • 545mm (W) x 650mm (H) x 650mm (D)
Packaged Dimensions:	<ul style="list-style-type: none"> • 680mm (W) x 790mm (H) x 810mm(D)
Weight:	<ul style="list-style-type: none"> • 46 Kg

Cabinet	Handles	Tophat	M20	Castors	Bracket Pt.	Inserts/Fly Points
NB18	2 off	No	Yes	Yes	N/A	N/A

Note: (1) Sensitivity measured at 1 metre with 2.83V, using band limited pink noise.