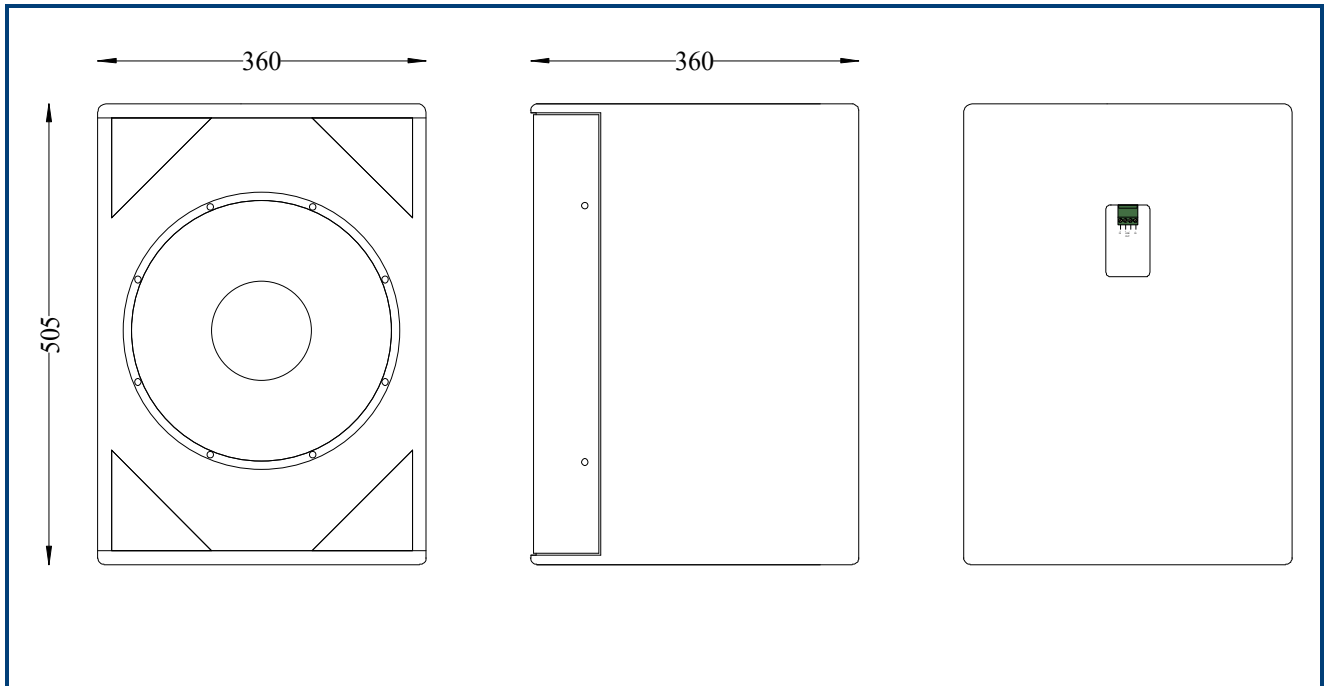




The Logic Systems Ci112 is a compact, high power, bass enclosure which features a direct radiating 12" bass driver. The Ci112 is installation specific. Corner porting also ensures uniformity of performance when mounted in either the landscape or portrait modes.



Frequency Response:	<ul style="list-style-type: none"> • 50Hz - 150Hz
Components:	<ul style="list-style-type: none"> • Bass: 1 x 12" cone driver • HF: N/A
Power handling:	<ul style="list-style-type: none"> • 500w
Sensitivity (1):	<ul style="list-style-type: none"> • 95dB
Directivity:	<ul style="list-style-type: none"> • Omni-directional
Impedance:	<ul style="list-style-type: none"> • 8 Ohm
Construction:	<ul style="list-style-type: none"> • 15mm Birch plywood
Finish:	<ul style="list-style-type: none"> • Water based textured black paint
Connections:	<ul style="list-style-type: none"> • Phoenix screw terminal connector (supplied)
Dimensions:	<ul style="list-style-type: none"> • 360mm (W) x 505mm (H) x 360mm (D)
Packaged Dimensions:	<ul style="list-style-type: none"> • 490mm (W) x 670mm (H) x 490mm(D)
Weight:	<ul style="list-style-type: none"> • 17Kg

Cabinet	Handles	Tophat	M20	Castors	Bracket Pt.	Inserts/Fly Points
Ci112	No	No	No	No	No	No

Note: (1) Sensitivity measured at 1 metre with 2.83V, using band limited pink noise.