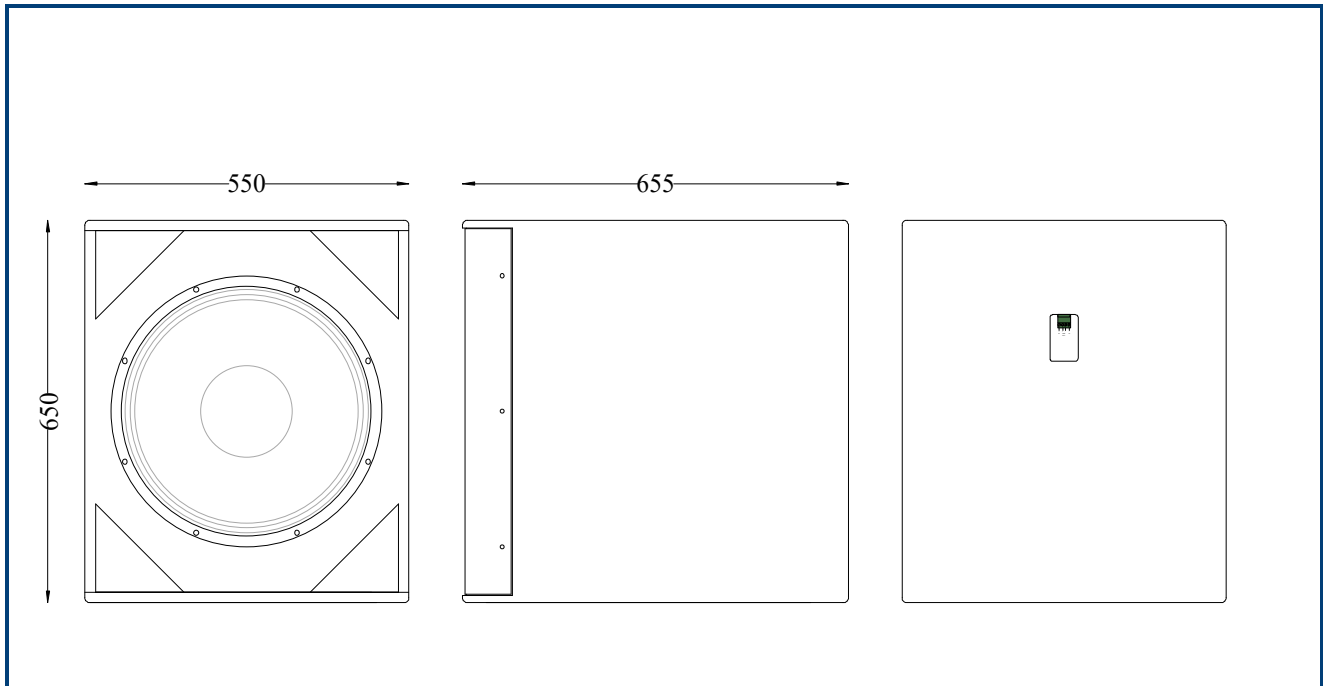


The Logic Systems Ci118 is a compact, high power, sub bass enclosure which features a direct radiating 18" sub bass driver. The Ci118 is installation specific. Corner porting also ensures uniformity of performance when mounted in either the landscape or portrait modes.



| | |
|-----------------------------|---|
| Frequency Response: | <ul style="list-style-type: none">• 40Hz - 150Hz |
| Components: | <ul style="list-style-type: none">• Bass: 1 x 18" cone driver• HF: N/A |
| Power handling: | <ul style="list-style-type: none">• 1000w |
| Sensitivity (1): | <ul style="list-style-type: none">• 98dB |
| Directivity: | <ul style="list-style-type: none">• Omni-directional |
| Impedance: | <ul style="list-style-type: none">• 8 Ohm |
| Construction: | <ul style="list-style-type: none">• 18mm Birch plywood |
| Finish: | <ul style="list-style-type: none">• Water based textured black paint |
| Connections: | <ul style="list-style-type: none">• Phoenix screw terminal connector (supplied) |
| Dimensions: | <ul style="list-style-type: none">• 550mm (W) x 650mm (H) x 655mm (D) |
| Packaged Dimensions: | <ul style="list-style-type: none">• 680mm (W) x 790mm (H) x 810mm(D) |
| Weight: | <ul style="list-style-type: none">• 44Kg |

| Cabinet | Handles | Tophat | M20 | Castors | Bracket Pt. | Inserts/Fly Points |
|---------|---------|--------|-----|---------|-------------|--------------------|
| Ci118 | No | No | No | No | No | No |

Note: (1) Sensitivity measured at 1 metre with 2.83V, using band limited pink noise.