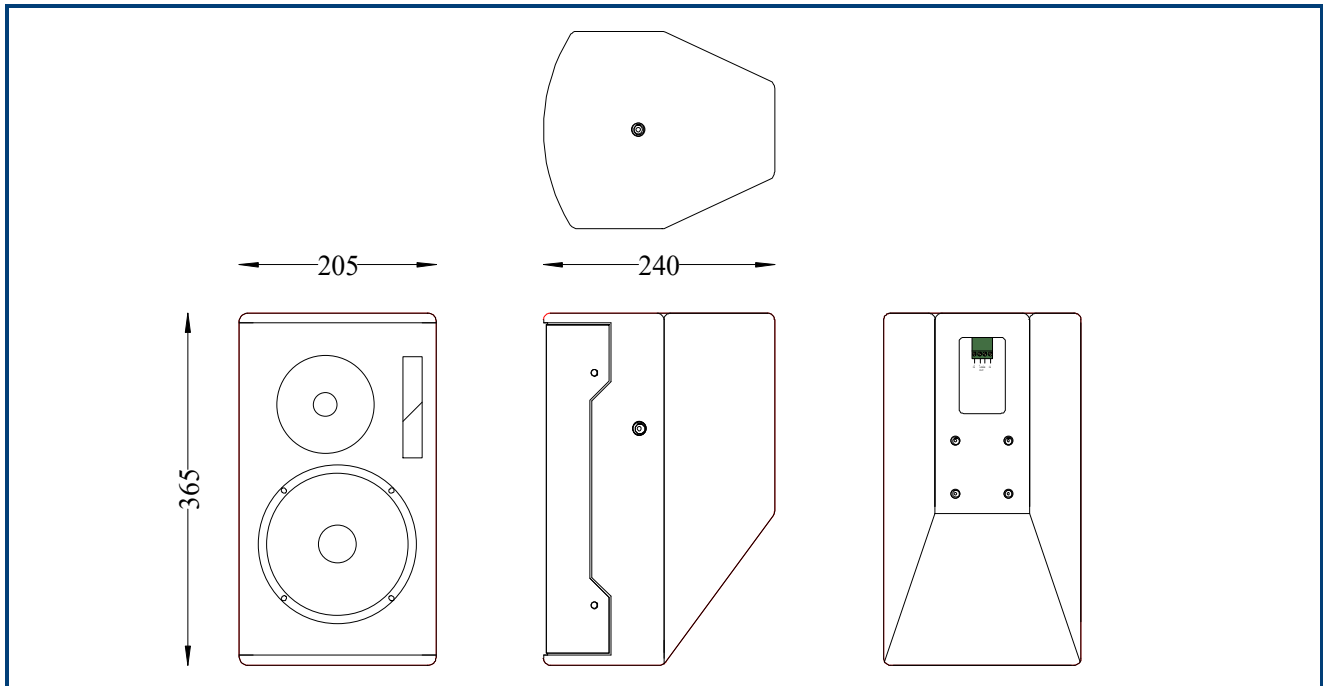


The Logic Systems Ci7 cabinet combines a 6.5" Mid/Bass cone with a true super tweeter HF. The cabinet is part of the Ci series which is aimed specifically at the Bar and Club installation market. The Ci Series are available with a range of bracket options to aid installation and can also be ordered in special colours to fit the needs of the designers. Standard colours are black and white. The Ci Series aims to bring both an audio and build quality that is not common at this price point. To this end all Ci Series cabinets are constructed from birch ply and are rebated, glued and screwed.



<b>Frequency Response:</b>	<ul style="list-style-type: none"> <li>75Hz - 20kHz</li> </ul>
<b>Components:</b>	<ul style="list-style-type: none"> <li>Bass/mid: 6.5" cone driver</li> <li>HF: Super tweeter</li> </ul>
<b>Power handling:</b>	<ul style="list-style-type: none"> <li>100w</li> </ul>
<b>Sensitivity (1):</b>	<ul style="list-style-type: none"> <li>93dB</li> </ul>
<b>Directivity:</b>	<ul style="list-style-type: none"> <li>100° Conical above 2kHz</li> </ul>
<b>Impedance:</b>	<ul style="list-style-type: none"> <li>8 ohms nominal</li> </ul>
<b>Construction:</b>	<ul style="list-style-type: none"> <li>15mm Birch plywood</li> </ul>
<b>Finish:</b>	<ul style="list-style-type: none"> <li>Water based textured black paint</li> </ul>
<b>Connections:</b>	<ul style="list-style-type: none"> <li>Phoenix screw terminal connector (supplied)</li> </ul>
<b>Dimensions:</b>	<ul style="list-style-type: none"> <li>205mm (W) x 365mm (H) x 240mm (D)</li> </ul>
<b>Packaged Dimensions (2):</b>	<ul style="list-style-type: none"> <li>330mm (W) x 520mm (H) x 675mm (D)</li> </ul>
<b>Weight:</b>	<ul style="list-style-type: none"> <li>7Kg</li> </ul>

Cabinet	Handles	Tophat	M20	Castors	Bracket Pt.	Inserts/Fly Points
<b>Ci7</b>	No	No	No	No	Back	No

**Note:** (1) Sensitivity measured at 1 metre with 2.83V, using band limited pink noise.  
(2) Please note that Ci7 cabinets are supplied boxed in pairs.