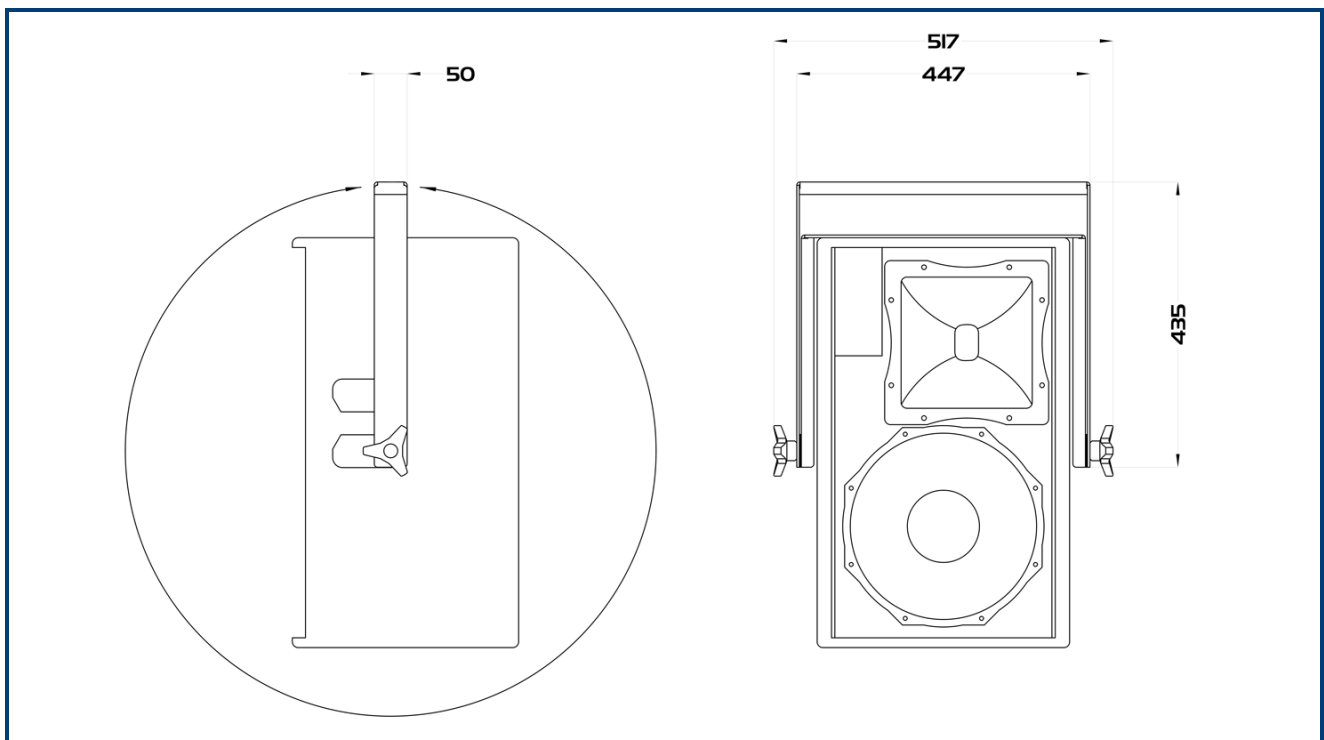


Key points about the yoke are:

- Can be used with the ML12 and ML14 range
- Constructed from 4mm steel and powder coated in durable matt black
- Designed to bolt directly into two M10 points on the top of the speaker
- Pivotal point along centre of gravity allows for easy maneuverability
- Can be rotated through 360° vertically or horizontally for best alignment
- Hard-wearing plastic knobs secure the inner and outer brackets to lock in to position



Cabinet	Handles	Tophat	M20	Castors	Bracket Pt.	Inserts/Fly Points
ML12/14 Yoke	N/A	N/A	N/A	N/A	N/A	N/A