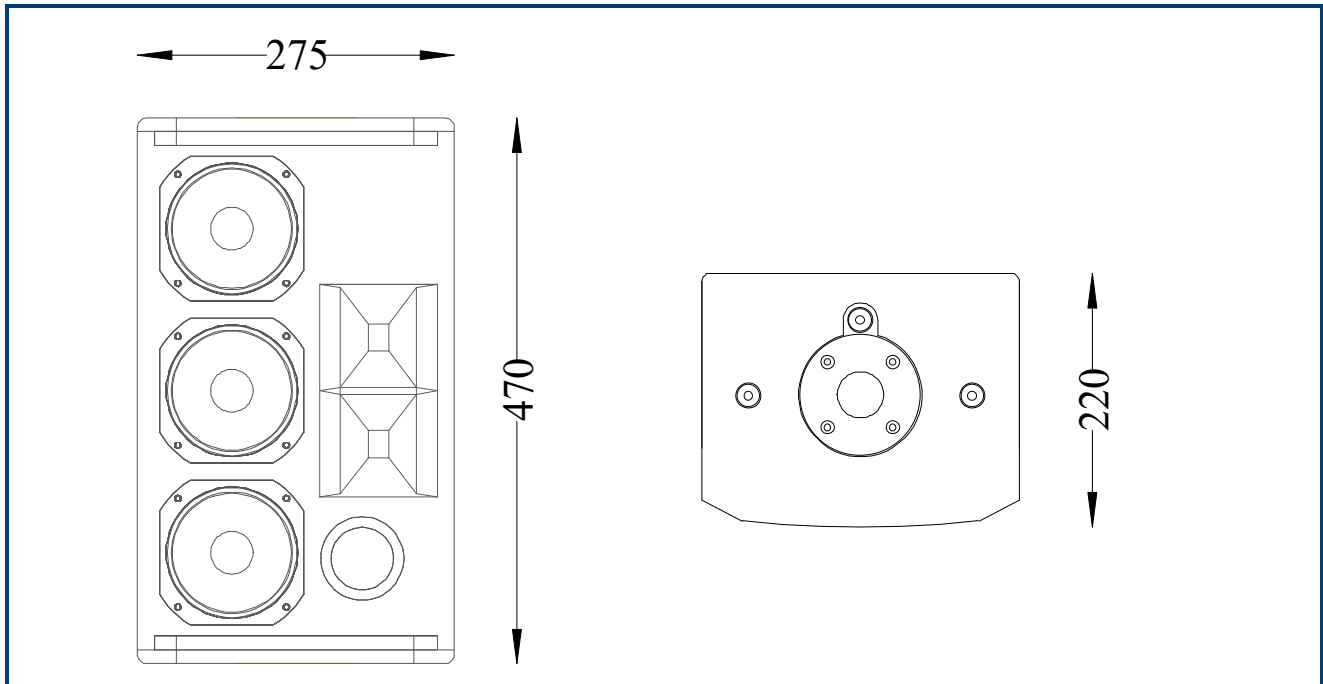


The Logic Systems MPLS 3.2 cabinet combines 3 x 5" Mid frequency cones with 2 x 1" compression drivers. The V Line loudspeakers are pure line source designs that radiate acoustic energy in a 90-degree (horizontal) and 15 degree (vertical) 'cheese wedge' pattern. The best results are achieved by mounting the speakers at ear level for best audience coverage. This means that they are ideal for 'flat floor' audience coverage for both indoor and outdoor usage. For use in auditoria with raked seating, the V line source loudspeakers can be mounted in an adjustable frame to allow upwards/downward coverage to be easily achieved. For expert advice for these applications contact Logic Systems. To this end all V Line cabinets are constructed from birch ply and are rebated, glued and screwed.



Frequency Response:	<ul style="list-style-type: none"> • 65Hz - 18kHz
Components:	<ul style="list-style-type: none"> • Bass/mid frequency: 3 x 5" cone drivers • HF: 2 x 1" compression drivers
Power handling:	<ul style="list-style-type: none"> • 350w (AES)
Sensitivity (1):	<ul style="list-style-type: none"> • 90dB
Directivity:	<ul style="list-style-type: none"> • 90 degrees (h) and 15 degrees (v)
Impedance:	<ul style="list-style-type: none"> • 24 ohms (compatible with 70v line)
Construction:	<ul style="list-style-type: none"> • 15mm Birch plywood
Finish:	<ul style="list-style-type: none"> • Water based textured black paint
Connections:	<ul style="list-style-type: none"> • 2 x Neutrik NL4 connectors • 1+/1- no connection 2+/2- input
Dimensions:	<ul style="list-style-type: none"> • 275mm (W) x 470mm (H) x 220mm (D)
Packaged Dimensions:	<ul style="list-style-type: none"> • 420mm (W) x 610mm (H) x 350mm (D)
Weight:	<ul style="list-style-type: none"> • 16Kg

Cabinet	Handles	Tophat	M20	Castors	Bracket Pt.	Inserts/Fly Points
MPLS 3.2	No	Yes	No	No	No	Yes

Note: (1) Sensitivity measured at 1w/1metre. Effective sensitivity at 10 meters is 100dB.