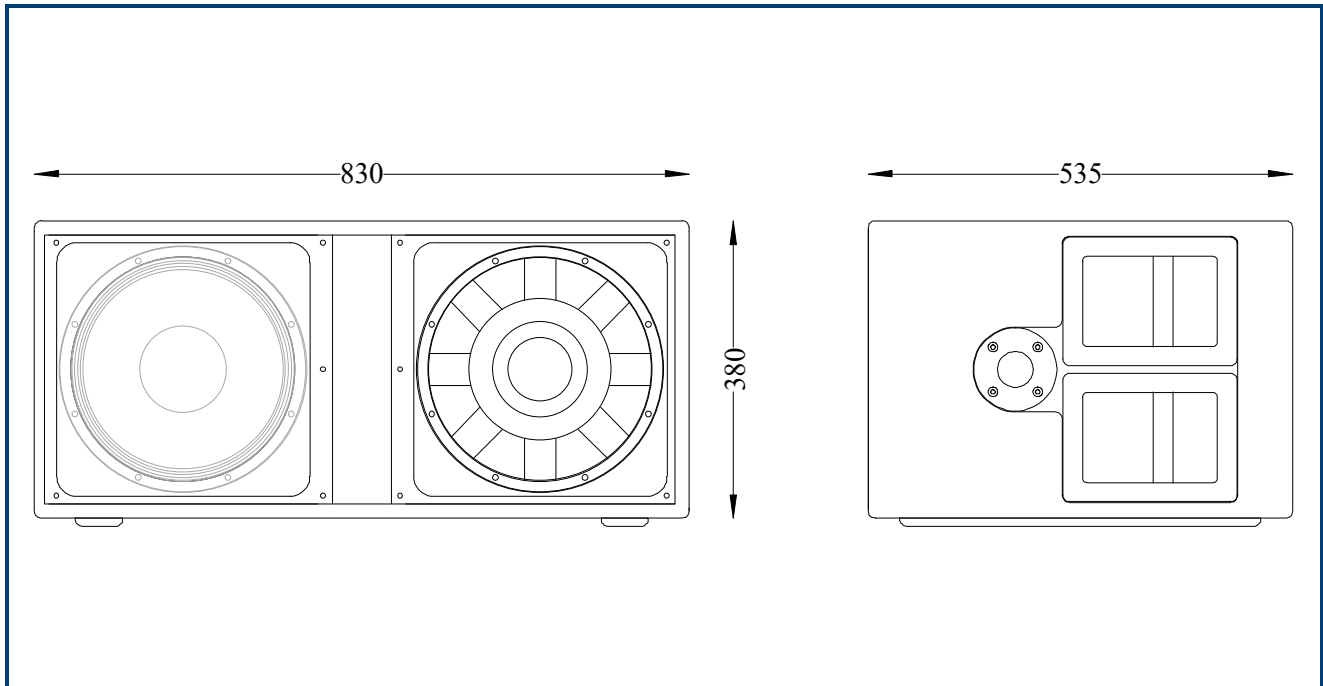




The Logic Systems V212 PP (push pull) bass loudspeaker is a high power, bass enclosure which features a 2 x 12" bass drivers loaded in a push pull arrangement. The V212 PP will typically be used as bass support for the Logic Systems line source V Line product range.



Frequency Response:	<ul style="list-style-type: none">• 35Hz - 150Hz
Components:	<ul style="list-style-type: none">• Bass: 2 x 12" high efficiency ferrite cone drivers• HF: N/A
Power handling:	<ul style="list-style-type: none">• 1500w (AES)
Sensitivity (1):	<ul style="list-style-type: none">• 92dB
Directivity:	<ul style="list-style-type: none">• Omni-directional
Impedance:	<ul style="list-style-type: none">• 4 Ohm
Construction:	<ul style="list-style-type: none">• 18mm Birch plywood
Finish:	<ul style="list-style-type: none">• Water based textured black paint
Connections:	<ul style="list-style-type: none">• 2 x Neutrik NL4 connectors• 1+/1- bass input 2+/2- linked
Dimensions:	<ul style="list-style-type: none">• 830mm (W) x 380mm (H) x 535mm (D)
Packaged Dimensions:	<ul style="list-style-type: none">• 965mm (W) x 510mm (H) x 750mm (D)
Weight:	<ul style="list-style-type: none">• 80Kg

Cabinet	Handles	Tophat	M20	Castors	Bracket Pt.	Inserts/Fly Points
V212PP	Yes	Yes	No	Yes	No	No

Note: (1) Sensitivity measured at 1w/1metre.