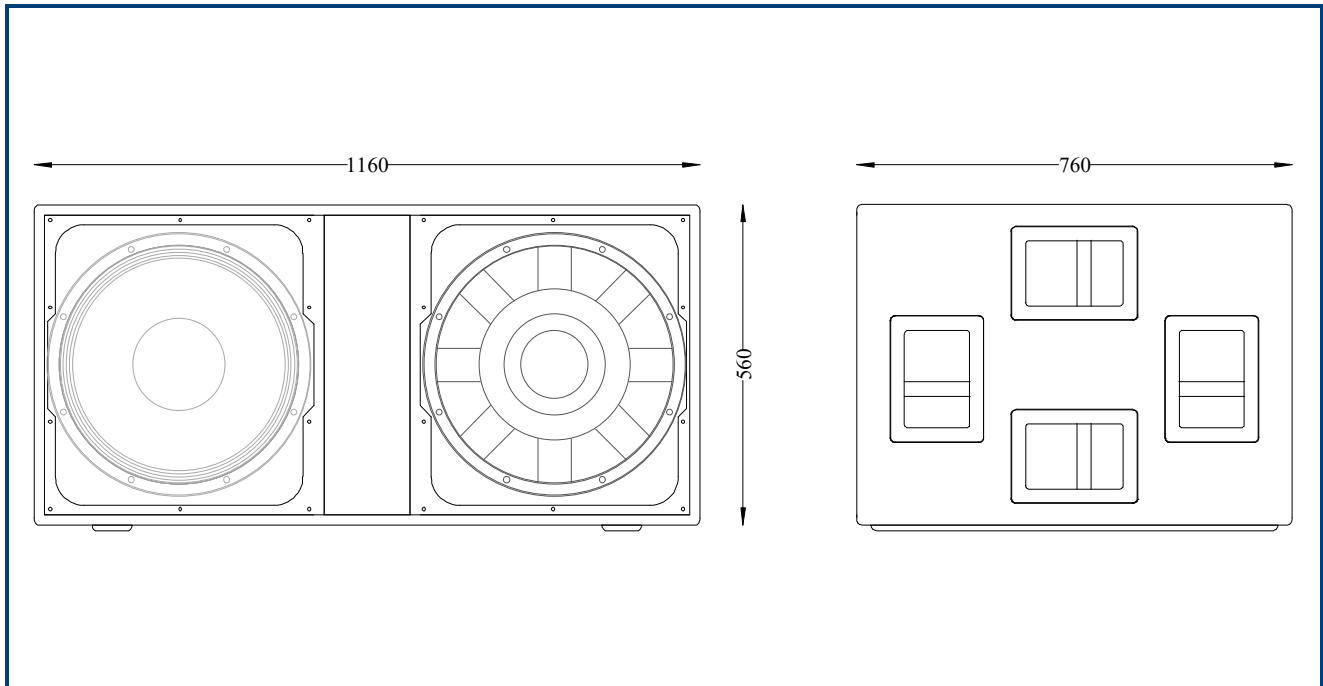


The Logic Systems V218 PP (push pull) sub bass loudspeaker is a high power, sub bass enclosure which features a 2 x 18" sub bass drivers loaded in a push pull arrangement.

The V218 PP will typically be used as sub bass support for the Logic Systems line source V Line product range.



| | |
|-----------------------------|---|
| Frequency Response: | <ul style="list-style-type: none"> • 35Hz - 150Hz |
| Components: | <ul style="list-style-type: none"> • Bass: 2 x 18" high efficiency ferrite cone drivers • HF: N/A |
| Power handling: | <ul style="list-style-type: none"> • 2500w (AES) |
| Sensitivity (1): | <ul style="list-style-type: none"> • 97dB |
| Directivity: | <ul style="list-style-type: none"> • Omni-directional |
| Impedance: | <ul style="list-style-type: none"> • 4 Ohm |
| Construction: | <ul style="list-style-type: none"> • 18mm Birch plywood |
| Finish: | <ul style="list-style-type: none"> • Water based textured black paint |
| Connections: | <ul style="list-style-type: none"> • 2 x Neutrik NL4 connectors • 1+/1- bass input 2+/2- linked |
| Dimensions: | <ul style="list-style-type: none"> • 1160mm (W) x 560mm (H) x 760mm (D) |
| Packaged Dimensions: | <ul style="list-style-type: none"> • 1210mm (W) x 600mm (H) x 960mm (D) |
| Weight: | <ul style="list-style-type: none"> • 110Kg |

| Cabinet | Handles | Tophat | M20 | Castors | Bracket Pt. | Inserts/Fly Points |
|---------|---------|--------|-----|---------|-------------|--------------------|
| V218PP | Yes | Yes | No | Yes | No | No |

Note: (1) Sensitivity measured at 1w/1metre.